

Collier County

Solicitation No. 18-7462 – Construction of Tamiami Wellfield Well No. 38

Addendum No. 6

September 10, 2018

**DRAWING REVISIONS**

**SHEET NO. M-1**

1. On the plan view, replace the note '20" PV' with '20" GV'.

**SHEET NO. ED-2**

1. Replace the sheet with the attached sheet ED-2, Rev. no. 1.

**SPECIFICATION REVISIONS**

**SECTION 15100 – VALVE AND APPURTENANCES**

1. 2.03.C. Replace the paragraph with the following:

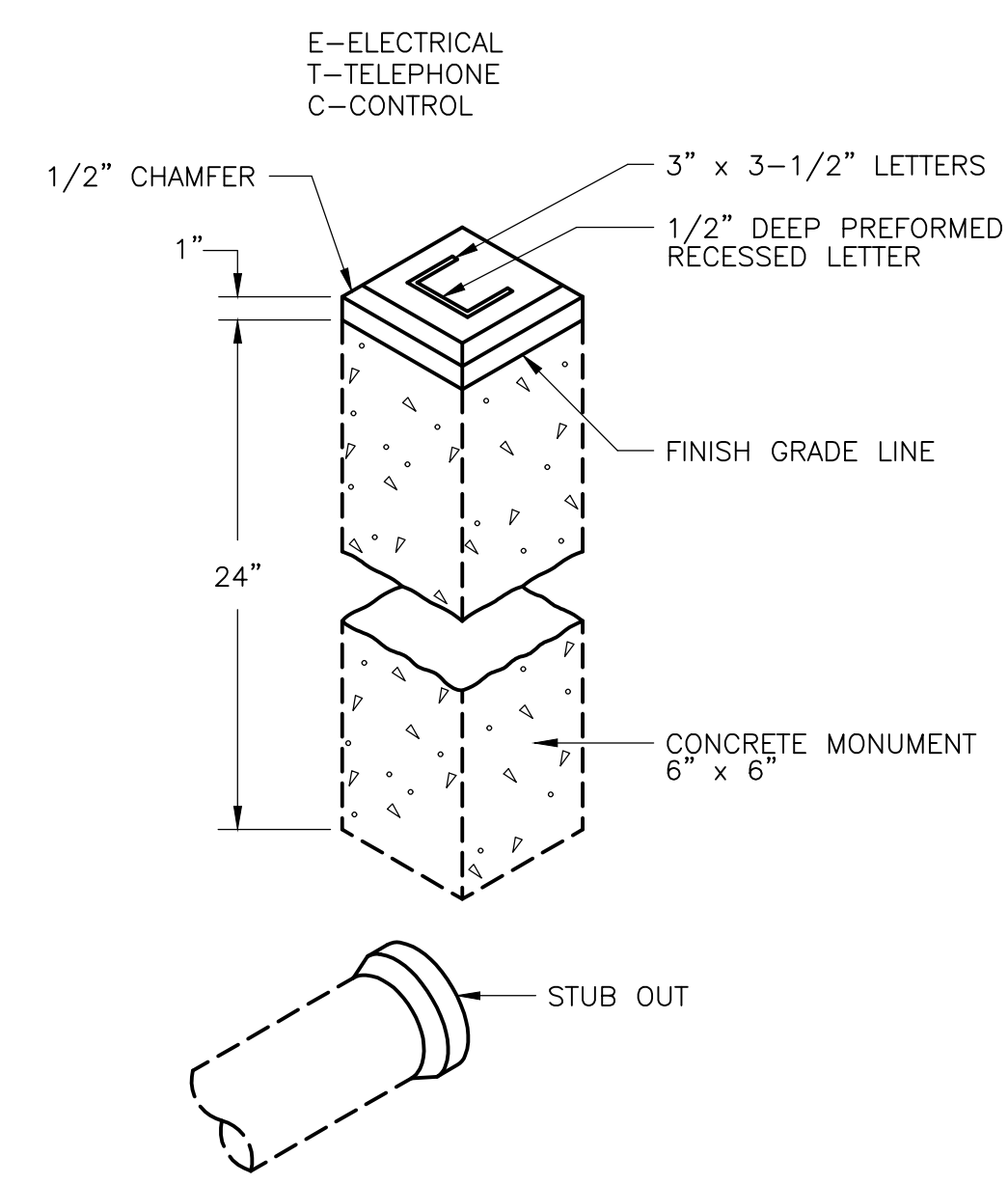
“Stem and Seat: The diaphragm assembly containing a non-magnetic 303 stainless steel stem of sufficient diameter to withstand high hydraulic pressures will be fully guided at both ends by a bearing in the valve cover and an integral bearing in the valve seat. The seat will be a solid, one-piece design and will have a minimum of a five-degree taper on the seating surface for a positive, drip-tight shut off. The stem will be drilled and tapped in the cover end to receive and affix such accessories as may be deemed necessary. The diaphragm assembly will be the only moving part and will form a sealed chamber in the upper portion of the valve, separating operating pressure from line pressure.”

**ATTACHMENTS**

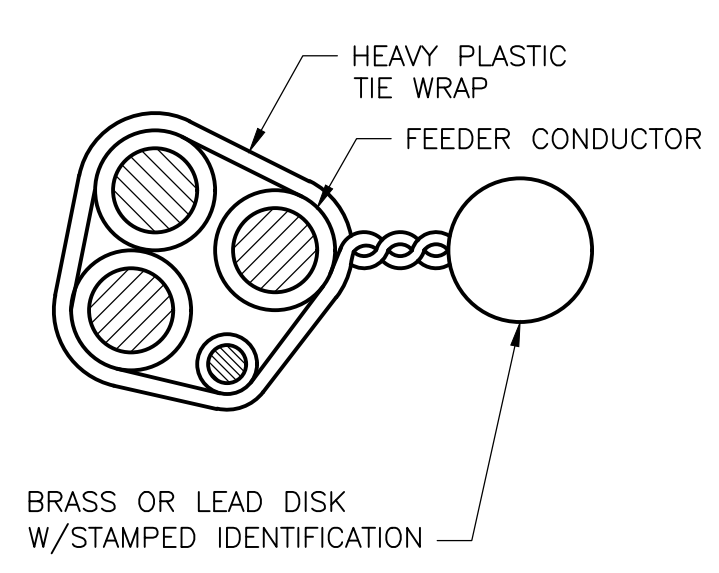
1. Sheet ED-2, Rev. no. 1.

**END OF ADDENDUM NO. 6.**

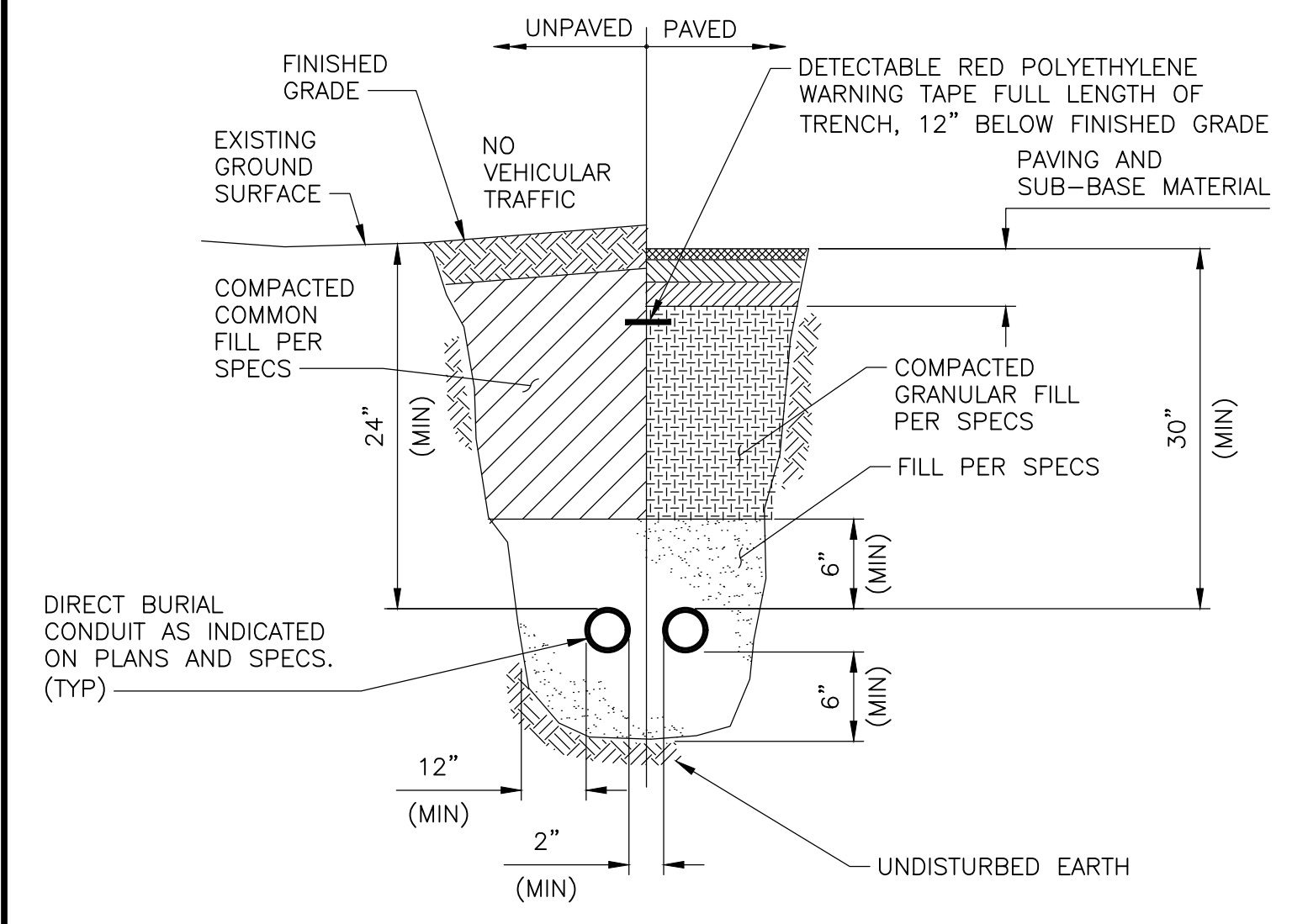
XREFS: [CDMS\_2234] Images: [ ]  
 Last saved by: CARTERRH Time: 4/16/2017 3:48:54 PM  
 pw:\DACPWP22\PL1\6295\215375\04 Design Services NM\_Bid\09 Electrical\10 CADD\ED02NFD1.dwg  
 © 2018 CDM SMITH ALL RIGHTS RESERVED.  
 REUSE OF DOCUMENTS: THESE DOCUMENTS AND DESIGNS PROVIDED BY PROFESSIONAL SERVICE, INCORPORATED HEREIN, ARE THE PROPERTY OF CDM SMITH AND ARE NOT TO BE USED, IN WHOLE OR PART, FOR ANY OTHER PROJECT WITHOUT THE WRITTEN AUTHORIZATION OF CDM SMITH.



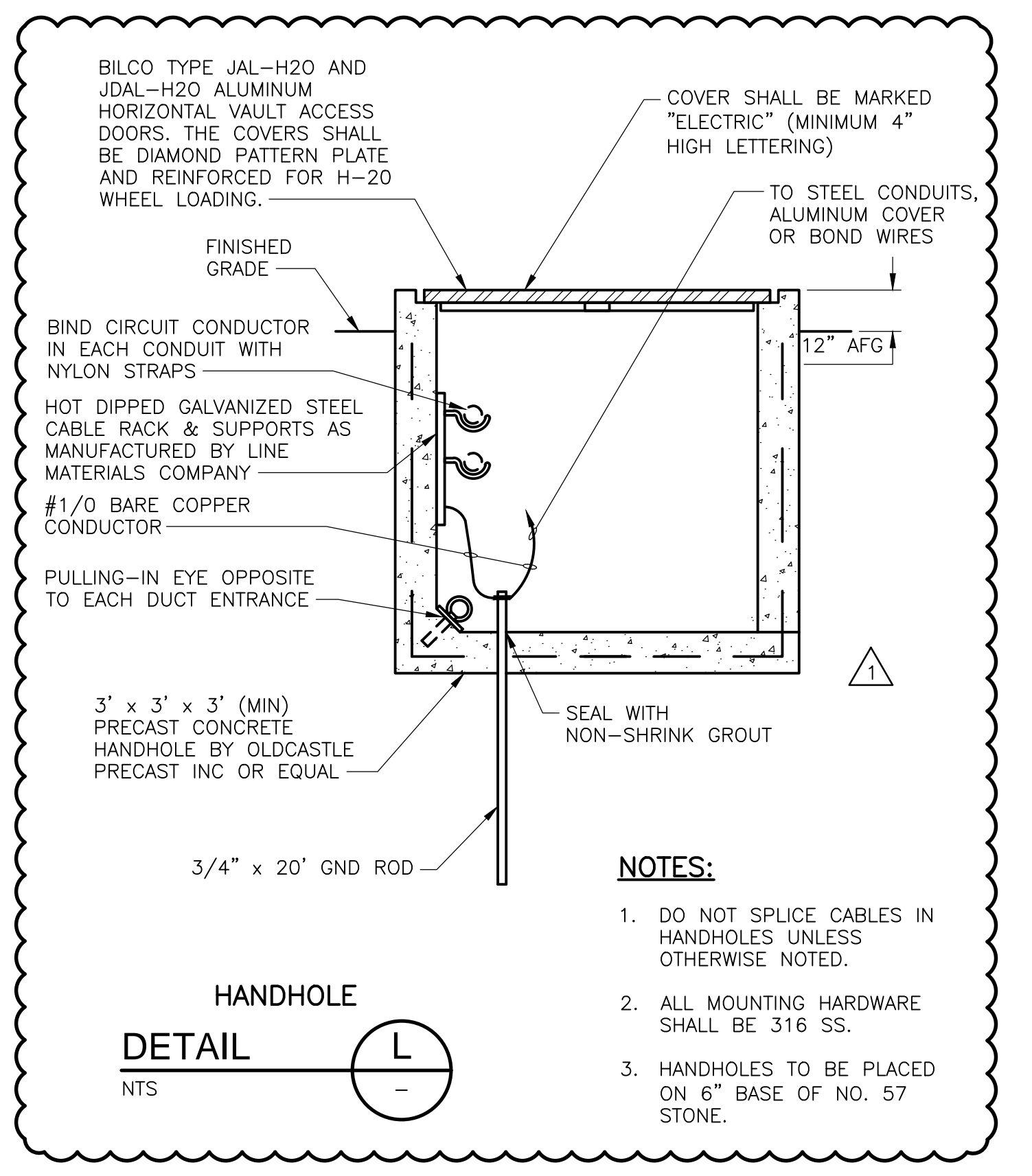
CONDUIT STUB MONUMENT  
 DETAIL H  
 NTS



U.G. CABLE TAG  
 DETAIL J  
 NTS



TYPICAL DIRECT BURIED CONDUIT INSTALLATION  
 DETAIL K  
 NTS



HANDHOLE  
 DETAIL L  
 NTS

- NOTES:**
- DO NOT SPLICE CABLES IN HANDHOLES UNLESS OTHERWISE NOTED.
  - ALL MOUNTING HARDWARE SHALL BE 316 SS.
  - HANDHOLES TO BE PLACED ON 6" BASE OF NO. 57 STONE.

REV. NO.	DATE	DRWN	CHKD	REMARKS
1	9-18	EHG	EHG	ADDENDUM NO.

DESIGNED BY: E. REYNOSO  
 DRAWN BY: R. RUCK  
 SHEET CHK'D BY: O. CRUZ  
 CROSS CHK'D BY: J. SANCHEZ  
 APPROVED BY: S. PERRY  
 DATE: JUNE 2018



4210 Metro Pkwy., Suite 230  
 Fort Myers, FL 33916  
 Tel: (239) 938-9600  
 FL COA No. EB-0000020

COLLIER COUNTY, FLORIDA  
 GOLDEN GATE TAMIAMI WELLFIELD  
 WELL NO. 38

ELECTRICAL DETAILS II  
 SHEET NO. ED-2

DATE: SPENCER PERRY  
 PE NO. 62587  
 PROJECT NO. 6295-215375  
 FILE NAME: ED02NFD1.DWG