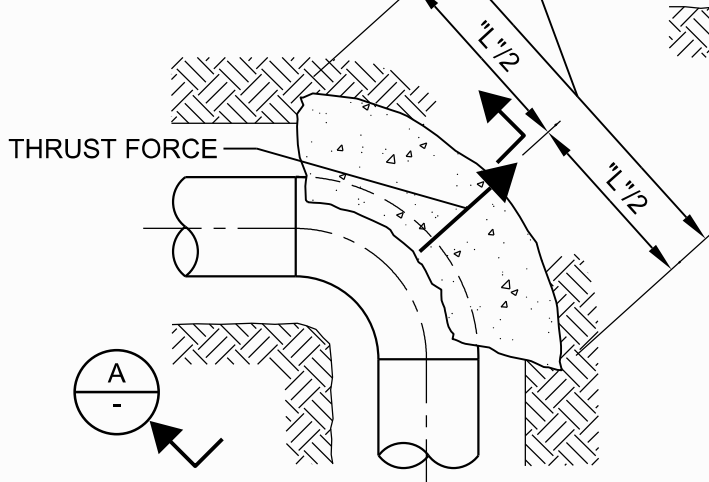
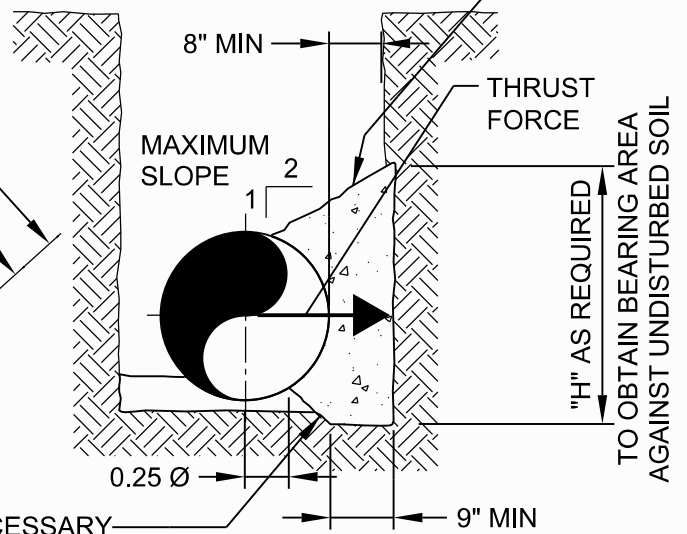


LENGTH "L" AS REQUIRED TO OBTAIN BEARING AREA AGAINST UNDISTURBED SOIL



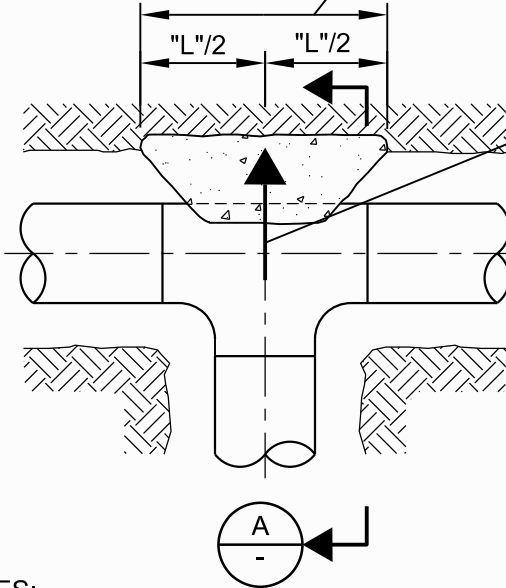
PLACE CONC LEVEL WITH TOP OF PIPE OR SLOPE UP IF NECESSARY TO OBTAIN REQUIRED BEARING AREA



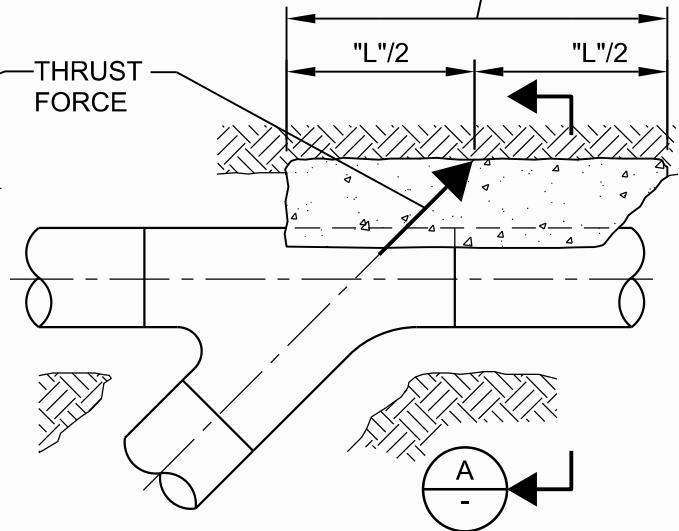
ADDITIONAL EXCAVATION IF NECESSARY TO OBTAIN REQUIRED BEARING AREA

**TYPICAL SECTION**

LENGTH "L" AS REQUIRED TO OBTAIN BEARING AREA AGAINST UNDISTURBED SOIL



LENGTH "L" AS REQUIRED TO OBTAIN BEARING AREA AGAINST UNDISTURBED SOIL



**NOTES:**

1. BEARING AREA IS THE AREA REQUIRED TO OBTAIN A MAXIMUM PRESSURE NOT GREATER THAN 1500 PSF AT THE TOP OF THRUST BLOCK WHEN THE PIPE IS SUBJECTED TO ITS TEST PRESSURE, OR BEARING AREA INDICATED ON THE DRAWINGS USING A PASSIVE RESISTANCE OF 200 PSF/FT DEPTH.
2. CONCRETE SHALL BE CLASS "A" OR "C".
3. THRUST BLOCK SHALL BEAR ON UNDISTURBED SOIL.

**CP131**

**THRUST RESTRAINT - BURIED THRUST BLOCK**

TYP

SN

SHEET 1 OF 1

02/08/2019

