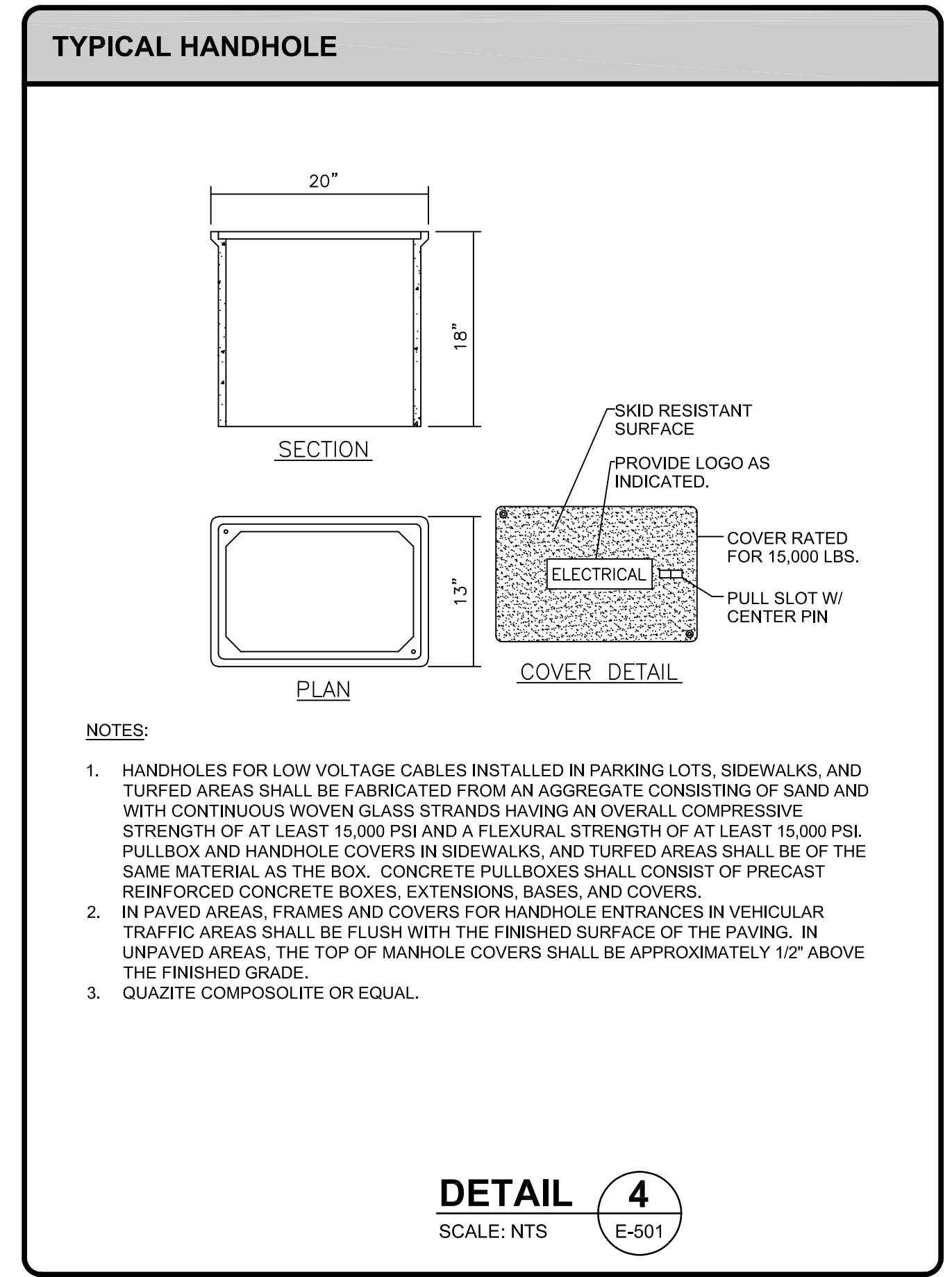
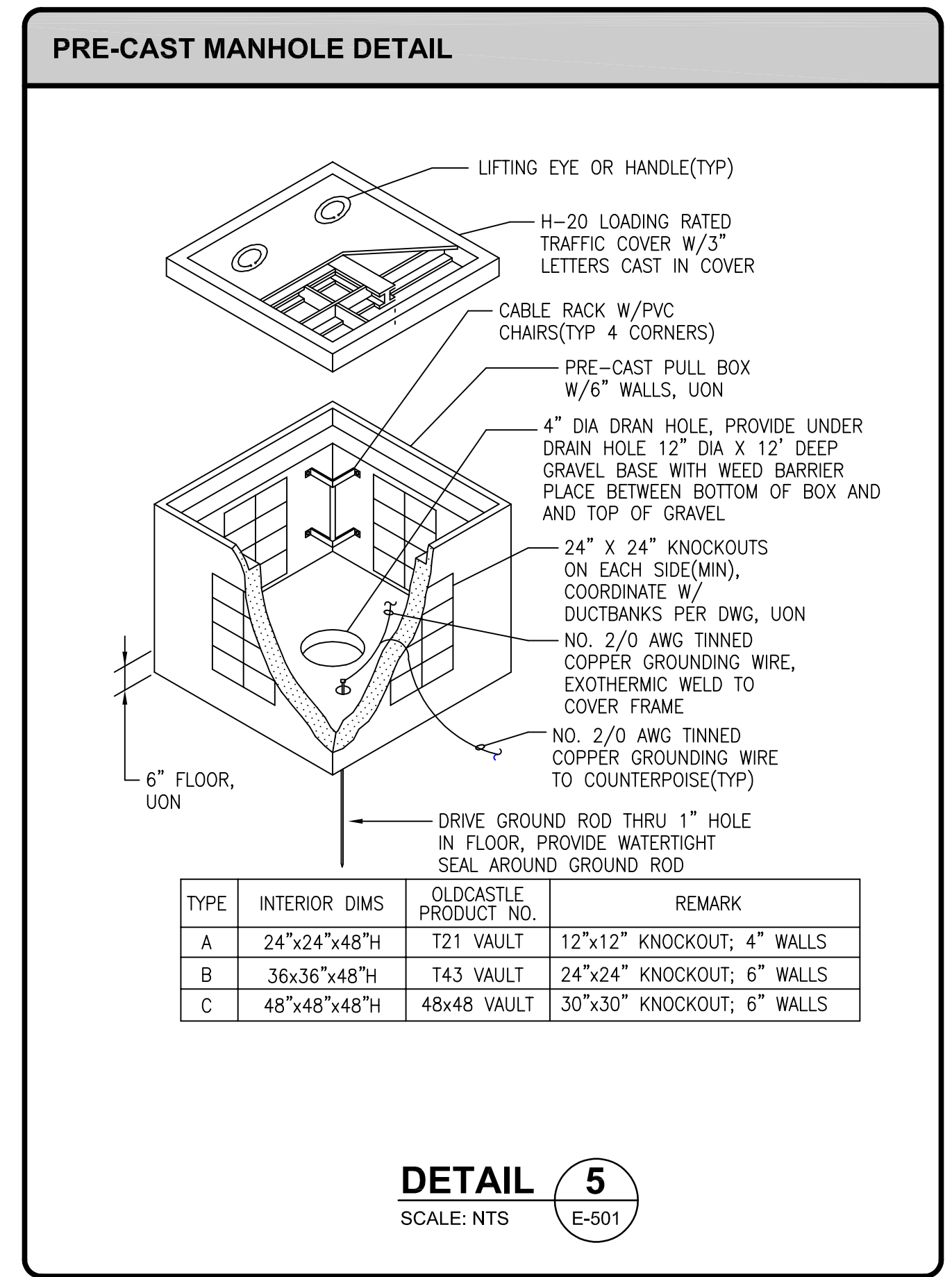
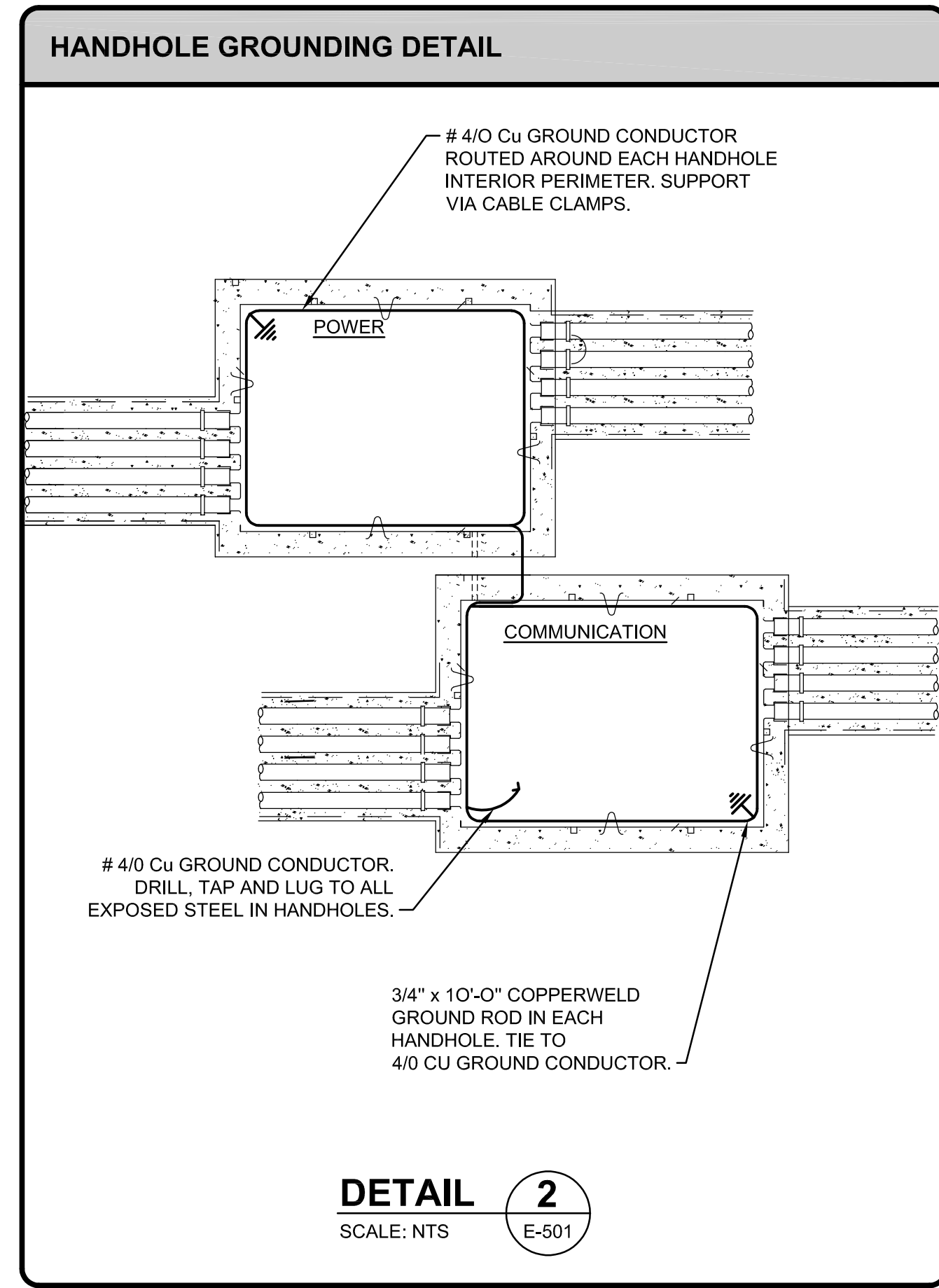
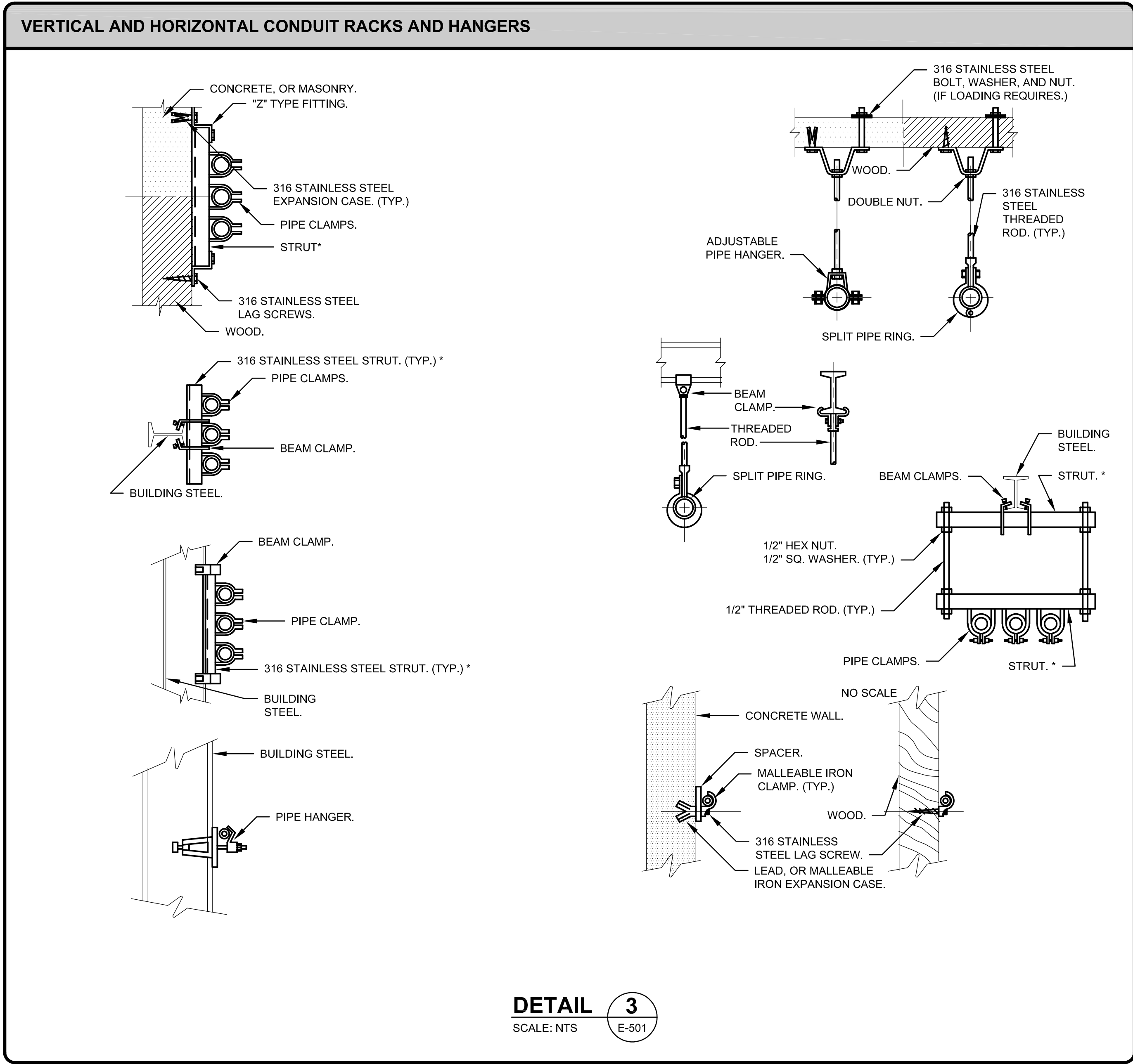
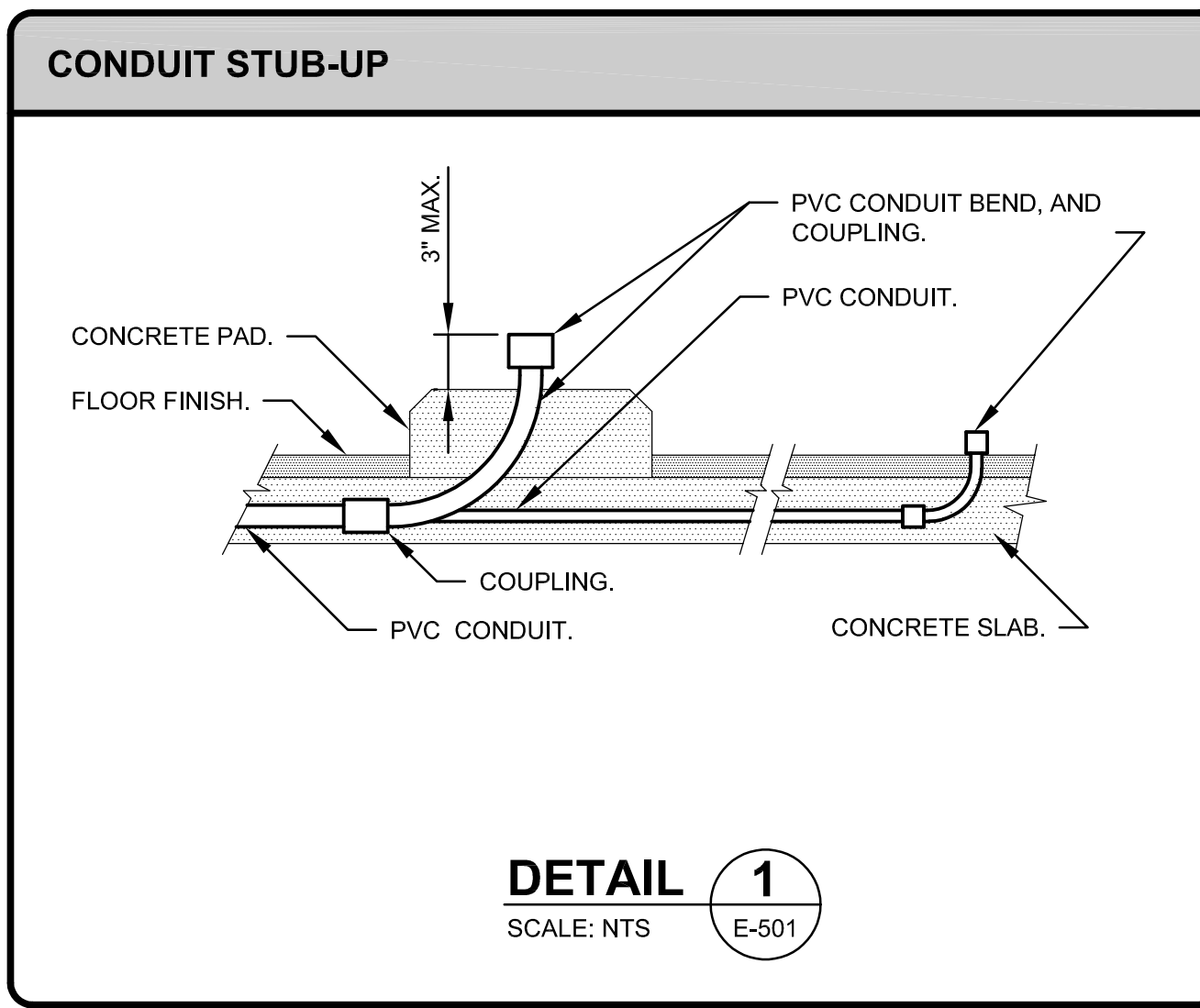


1/7/2021 1:15:21 PM - I:\TTS\01\PROJECTS\MER08486\200-08486-20013\CAD\SHETSHEETFILES\HLD SETE-501 ELECTRICAL DETAILS.DWG - SEIGNOURET, JASON



TETRA TECH
ENGINEERING BUSINESS NO. 2429

www.tetra-tech.com
10600 CHEVROLET WAY, SUITE 102
ESTERO, FL 33928
PHONE: (239) 390-1467 FAX: (239) 390-1769

100% SUBMITTAL

BY	DATE	DESCRIPTION

COLLIER COUNTY UTILITIES
GOLDEN GATE WWTP
HIGH LEVEL DISINFECTION IMPROVEMENTS

ELECTRICAL DETAILS

Project No.: 200-08486-20013
Designed By: JAS
Drawn By: JAS
Checked By: BRW

E-501

Copyright: Tetra Tech
Bar Measures 1 inch