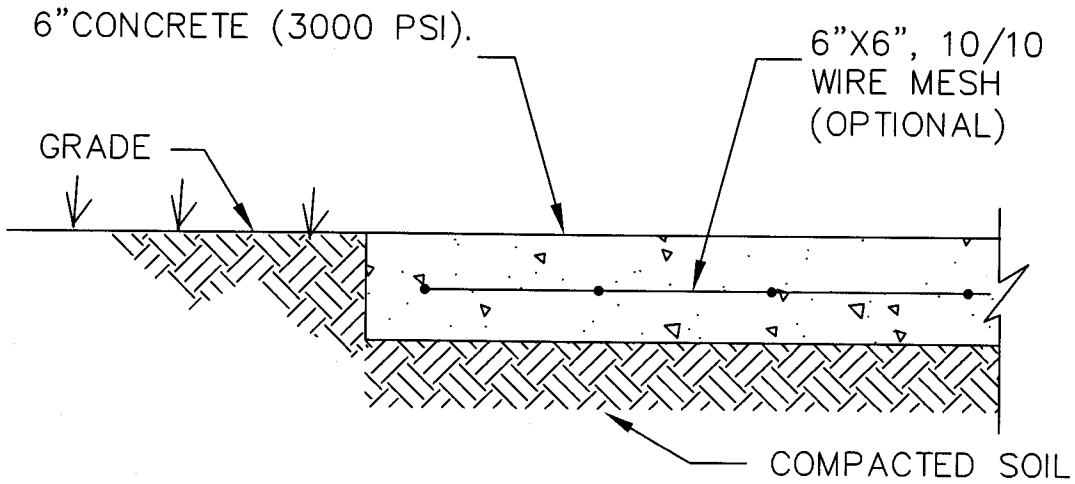


ASPHALT DRIVE DETAIL

N.T.S.



CONCRETE DRIVE DETAIL

N.T.S.

PLOT DATE 4/10/03

<p>COLLIER COUNTY TRANSPORTATION OPERATIONS DEPARTMENT</p>	<p>REVISION 3-24-08 APPROVED</p>	<p>TITLE: RESIDENTIAL ASPHALT / CONCRETE DRIVE NOTES AND DETAILS</p>	<p>SHEET 22 OF 26</p>
--	--	--	---------------------------