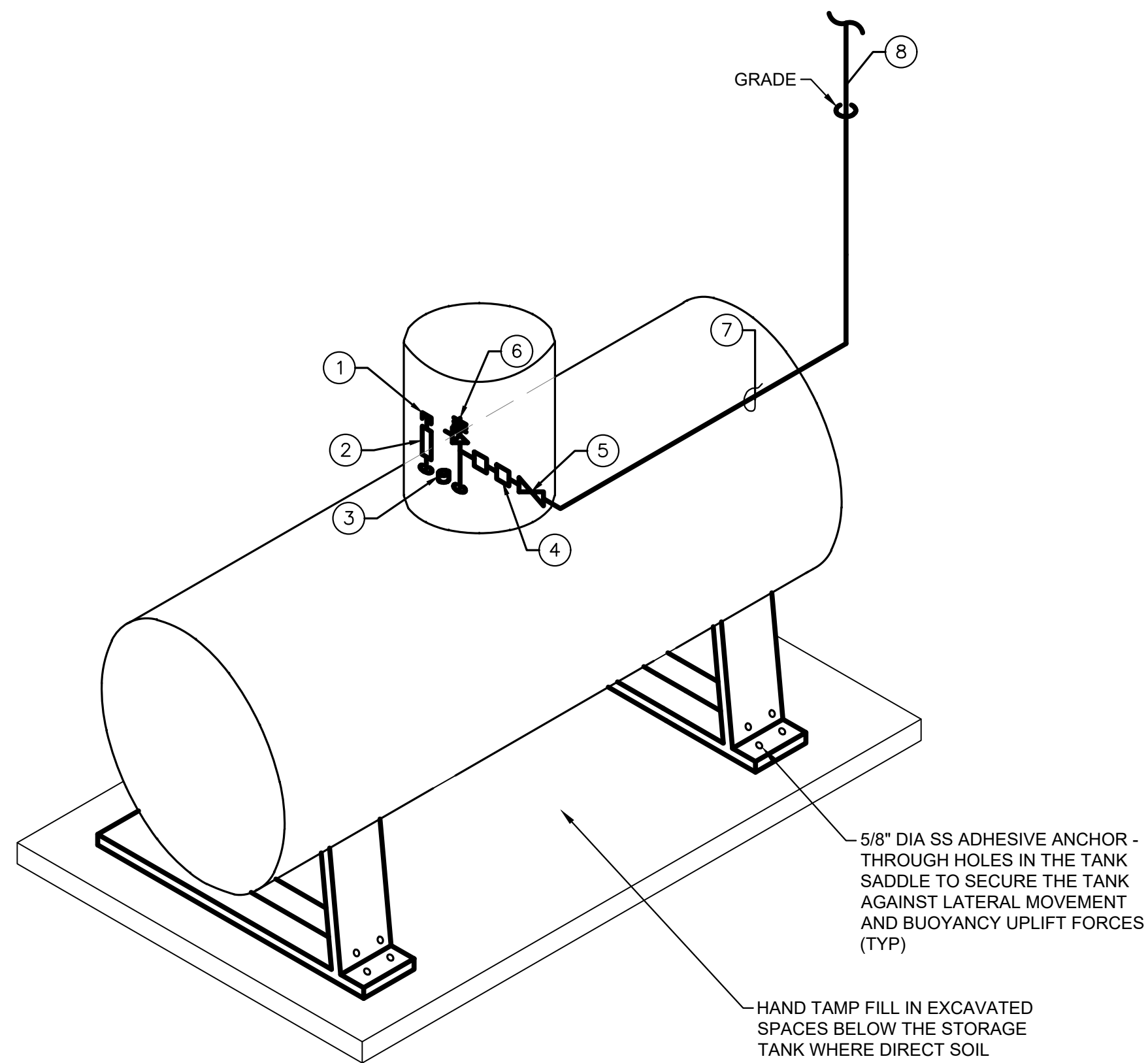
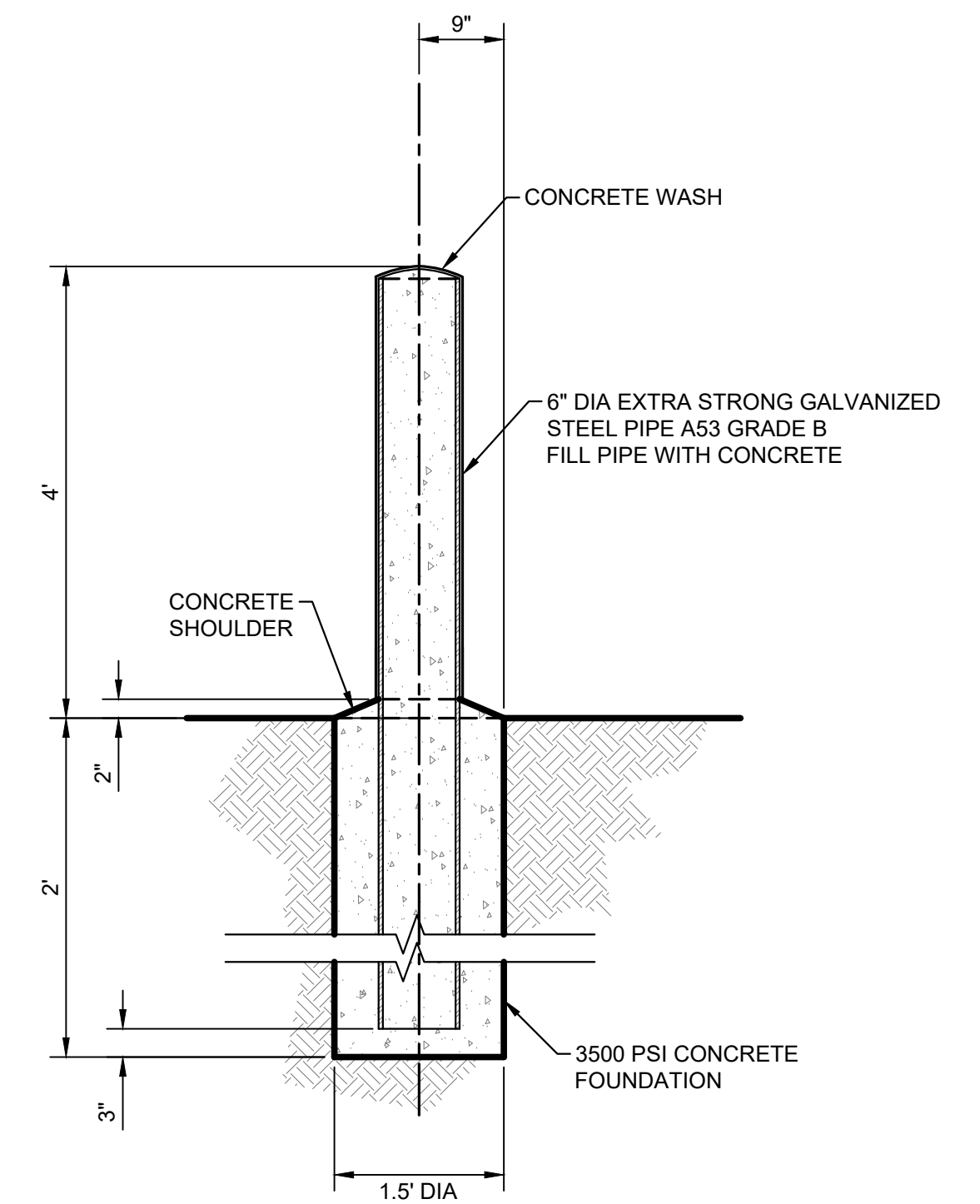


SECTION - LP TANK BASE SLAB
NOT TO SCALE

NOTE: ANODE WIRES NOT SHOWN FOR CLARITY.



SCHEMATIC - LP GAS TANK
NOT TO SCALE



GENERAL NOTES:

- SEE PLANS FOR QUANTITY, LOCATION AND SPACING OF BOLLARDS.
- WHEN BOLLARDS ARE USED TO RESTRICT VEHICULAR ACCESS, PROVIDE MINIMUM CLEARANCES FOR HANDICAP ACCESS.
- PROVIDE SAFETY YELLOW POLYETHYLENE BOLLARD SLEEVE.



GENERAL NOTES:

- DESIGN REQUIREMENTS:
 - NATIONAL FIRE PROTECTION ASSOCIATION STANDARD NO. 58 AND ALL OTHER APPLICABLE STATE AND FEDERAL STANDARDS.
 - ALL METAL PARTS (TANKS, PIPING AND OTHER FITTINGS) UNDERGROUND SHALL BE PROTECTED WITH CATHODIC PROTECTION.
 - FUEL TANK CAPACITY: (500 GAL.)
- COMPONENTS:
 - TANK:
 - TANK MANUFACTURER SHALL BE FERRELL GAS, L.P.
 - TANK SHALL BE STAMPED FOR 250 PSIG WORKING PRESSURE IN ACCORDANCE WITH ASME CODE FOR "PRESSURE VESSELS FOR PETROLEUM LIQUIDS AND GASES".
 - TANK SHALL HAVE CERTIFICATION OF TESTING FOR 1.5 TIMES WORKING PRESSURE AND SUITABLE FOR UNDERGROUND INSTALLATION.
 - TANK SHALL BE PROVIDED WITH WELDED STEEL SUPPORTS WITH PROVISIONS FOR BOLTING TO THE CONCRETE FOUNDATION.
 - TANK SHALL BE FACTORY COATED PER MANUFACTURER'S RECOMMENDATIONS. IF PRIMER IS USED, SHALL NOT CONTAIN LEAD PIGMENTS.
 - WARNING SIGNS:
 - WARNING SIGNS (2) 2'-0" X 1'-0" SHALL BE ERECTED IN THE AREA AROUND THE TANK.
 - WARNING SIGNS SHALL BE SHEET ALUMINUM, NOT LESS THAN 1.2 MM THICK (18 GAGE) WITH A BAKED ENAMEL COATING AND SHALL HAVE RED LETTERS ON A WHITE BACKGROUND.
 - THESE SIGNS SHALL BE ON METAL POSTS AND CLEARLY VISIBLE. SIGN TO READ, "DANGER NO SMOKING."
- INSTALLATION:
 - FURNISH ALL LABOR, MATERIALS AND EQUIPMENT NECESSARY TO MAKE A COMPLETE INSTALLATION AS INDICATED AND SPECIFIED AND AS REQUIRED BY LOCAL PRACTICE, CODES AND REGULATIONS.
 - PROVIDE 14 GAUGE PAINTED STEEL, VENTED, PROTECTIVE COVER WITH OPEN BOTTOM.
 - TANK ASSEMBLY SHALL BE BOLTED TO THE CONCRETE SLAB.
- CLEANING:
 - PIPING: CLEAN EXTERIOR SURFACES OF INSTALLED PIPING SYSTEMS OF SUPERFLUOUS MATERIALS AND PREPARE FOR APPLICATION OF SPECIFIED COATINGS (IF ANY).
- BOLLARDS SHALL BE USED TO PREVENT VEHICULAR TRAFFIC OVER TANK AND TO PROTECT LP REGULATOR AND EXPOSED PIPING (SEE DETAIL 2 THIS SHEET).

KEY NOTES:

MARK	DESCRIPTION	REMARKS
①	FILL CONNECTION (*)	
②	DOUBLE BACKFLOW CHECK FILTER VALVE (*)	
③	FLOAT GAUGE (*)	
④	PRIMARY FUEL PRESSURE REGULATOR (*)	SET AT 10 PSIG
⑤	MANUAL SHUTOFF VALVE (*)	
⑥	RELIEF VALVE (*)	
⑦	3/4" DIA GAS LINE (UNDERGROUND)	MINIMUM 2'-0" BELOW GRADE
⑧	3/4" DIA GAS LINE (ABOVEGROUND)	

(*) KEY NOTES ① THROUGH ⑦ ARE LOCATED UNDER THE TANK DOME.



NOTE:
ALL ELEVATIONS SHOWN ARE BASED ON NGVD29

PLOT DATE: Mar 09, 2020 - 2:41pm XREFS: IMAGES: BAR IS EQUAL TO ONE INCH ON ORIGINAL DRAWING ADJUST ALL SCALED DIMENSIONS ACCORDINGLY

CADD FILE: F:\wdd\wddcs9d\Cad\dwg\CS09CS01_C5-1.dwg	3/9/2020	DMG	ADDENDUM NO. 1	SEAL	FLORIDA E.B. NO. 48	MOCK • ROOS CONSULTING ENGINEERS 5720 Corporate Way, West Palm Beach, Florida 33407 (561) 683-3113, www.MockRoos.com	FLORIDA L.B. NO. 48	FIELD: WGI	CONTROL STRUCTURE NO. 9 REPLACEMENT LAKE WORTH DRAINAGE DISTRICT PALM BEACH COUNTY, FLORIDA	DATE: JANUARY 2020
	NO.	DATE	BY	REVISION	DATE		DESIGN: PVK	APPR: GGG		P.A. NO. B7002.00
								SCALE: AS SHOWN	DWG. NO. 45-43-19-22	SHEET: C5-4