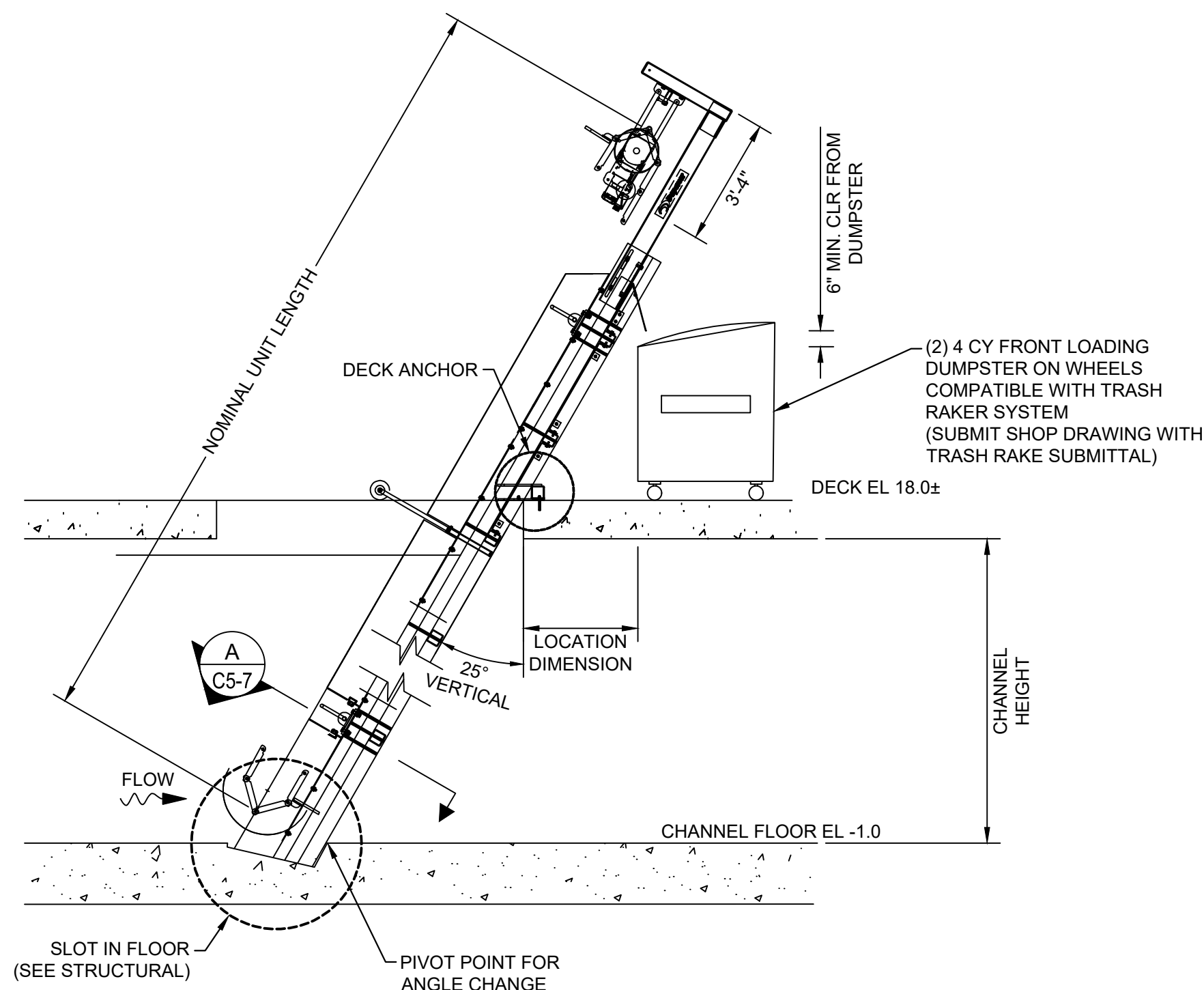
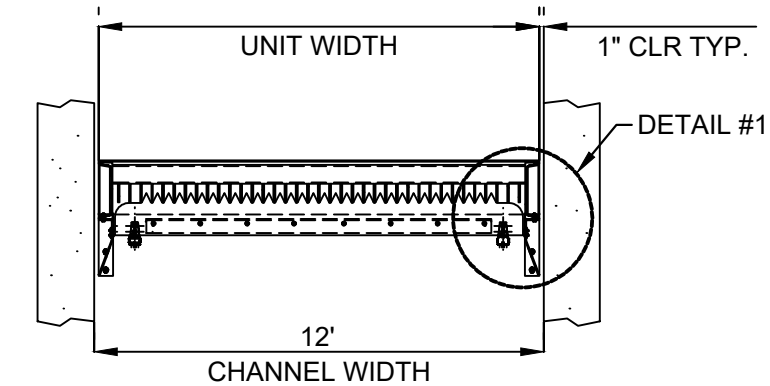


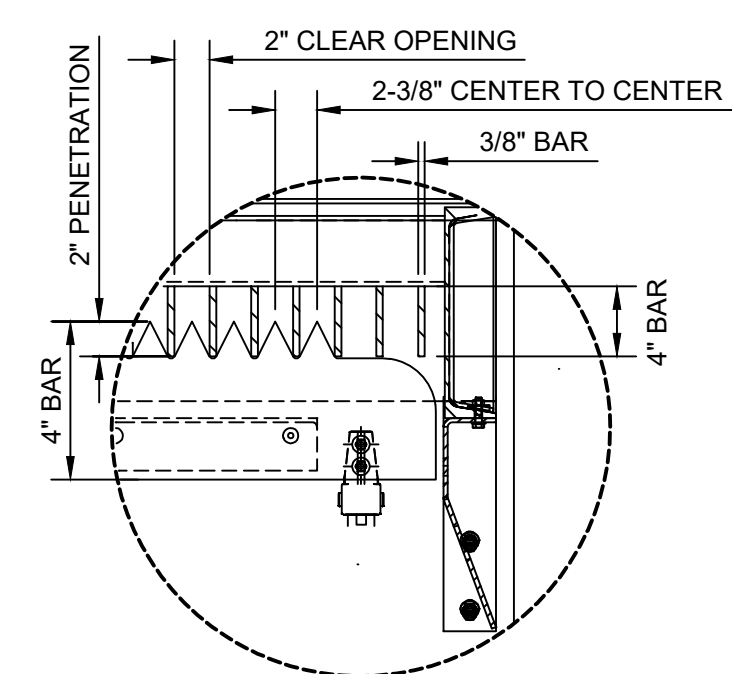
FRONT VIEW
LOOKING SOUTH



PROFILE VIEW

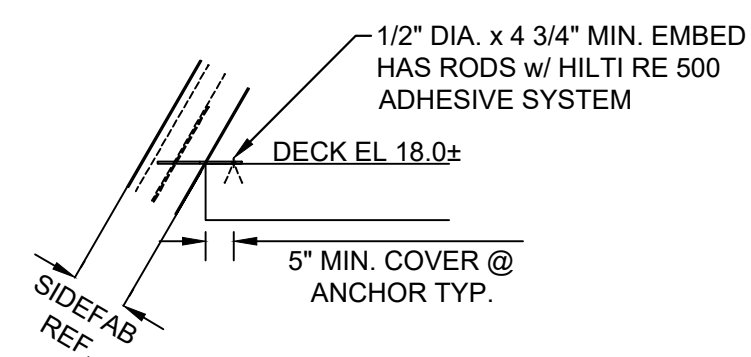


A SECTION VIEW
C5-7 N.T.S.

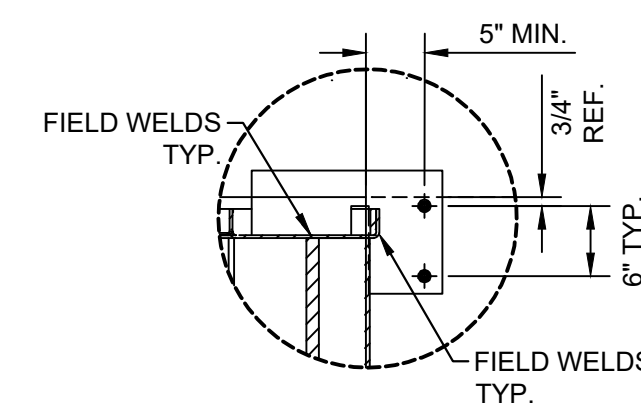


DETAIL #1

- NOTES:
1. TRASH RAKE MANUFACTURER SHALL BE DUPERON.
 2. TRASH RAKE MANUFACTURER SHALL PROVIDE ALL HARDWARE AND MOUNTING HARDWARE. ALL HARDWARE SHALL BE STAINLESS STEEL.
 3. CONTRACTOR SHALL PROVIDE SHOP DRAWINGS.



DECK AND ANCHOR SIDE VIEW



DECK ANCHOR PLAN

1 TRASH RACK MOUNTING DETAIL
C5-7 N.T.S.

PLOT DATE: Mar 05, 2020 - 9:18am XREFS: IMAGES:

BAR IS EQUAL TO ONE INCH ON ORIGINAL DRAWING
ADJUST ALL SCALED DIMENSIONS ACCORDINGLY

CADD FILE: F:\wdd\wddcs91\Cad\dwg\CS09CS01_C5-1.dwg

DETAILS

<table border="1"> <tr> <td>NO.</td> <td>DATE</td> <td>BY</td> <td>REVISION</td> </tr> <tr> <td>1</td> <td>3/3/2020</td> <td>DMG</td> <td>ADDENDUM NO. 1</td> </tr> </table>				NO.	DATE	BY	REVISION	1	3/3/2020	DMG	ADDENDUM NO. 1	<table border="1"> <tr> <td>SEAL</td> <td>FLORIDA E.B. NO. 48</td> </tr> <tr> <td>PATRICK V. KIRBY FLORIDA P.E. NO. 44013</td> <td></td> </tr> <tr> <td>DATE</td> <td></td> </tr> </table>		SEAL	FLORIDA E.B. NO. 48	PATRICK V. KIRBY FLORIDA P.E. NO. 44013		DATE		<table border="1"> <tr> <td>FLORIDA L.B. NO. 48</td> <td>FIELD: WGI</td> </tr> <tr> <td rowspan="4"> MOCK • ROOS CONSULTING ENGINEERS 5720 Corporate Way, West Palm Beach, Florida 33407 (561) 683-3113, www.MockRoos.com </td> <td>DRAWN: DMG</td> </tr> <tr> <td>DESIGN: PVK</td> </tr> <tr> <td>APPR: GGG</td> </tr> <tr> <td>SCALE: AS SHOWN</td> </tr> </table>		FLORIDA L.B. NO. 48	FIELD: WGI	MOCK • ROOS CONSULTING ENGINEERS 5720 Corporate Way, West Palm Beach, Florida 33407 (561) 683-3113, www.MockRoos.com	DRAWN: DMG	DESIGN: PVK	APPR: GGG	SCALE: AS SHOWN	<table border="1"> <tr> <td colspan="2">CONTROL STRUCTURE NO. 9 REPLACEMENT</td> </tr> <tr> <td colspan="2">LAKE WORTH DRAINAGE DISTRICT PALM BEACH COUNTY, FLORIDA</td> </tr> </table>		CONTROL STRUCTURE NO. 9 REPLACEMENT		LAKE WORTH DRAINAGE DISTRICT PALM BEACH COUNTY, FLORIDA		<table border="1"> <tr> <td>DATE:</td> <td>JANUARY 2020</td> </tr> <tr> <td>P.A. NO.</td> <td>B7002.00</td> </tr> <tr> <td>DWG. NO.</td> <td>45-43-19-22</td> </tr> <tr> <td>SHEET:</td> <td>C5-7</td> </tr> </table>		DATE:	JANUARY 2020	P.A. NO.	B7002.00	DWG. NO.	45-43-19-22	SHEET:	C5-7
NO.	DATE	BY	REVISION																																									
1	3/3/2020	DMG	ADDENDUM NO. 1																																									
SEAL	FLORIDA E.B. NO. 48																																											
PATRICK V. KIRBY FLORIDA P.E. NO. 44013																																												
DATE																																												
FLORIDA L.B. NO. 48	FIELD: WGI																																											
MOCK • ROOS CONSULTING ENGINEERS 5720 Corporate Way, West Palm Beach, Florida 33407 (561) 683-3113, www.MockRoos.com	DRAWN: DMG																																											
	DESIGN: PVK																																											
	APPR: GGG																																											
	SCALE: AS SHOWN																																											
CONTROL STRUCTURE NO. 9 REPLACEMENT																																												
LAKE WORTH DRAINAGE DISTRICT PALM BEACH COUNTY, FLORIDA																																												
DATE:	JANUARY 2020																																											
P.A. NO.	B7002.00																																											
DWG. NO.	45-43-19-22																																											
SHEET:	C5-7																																											