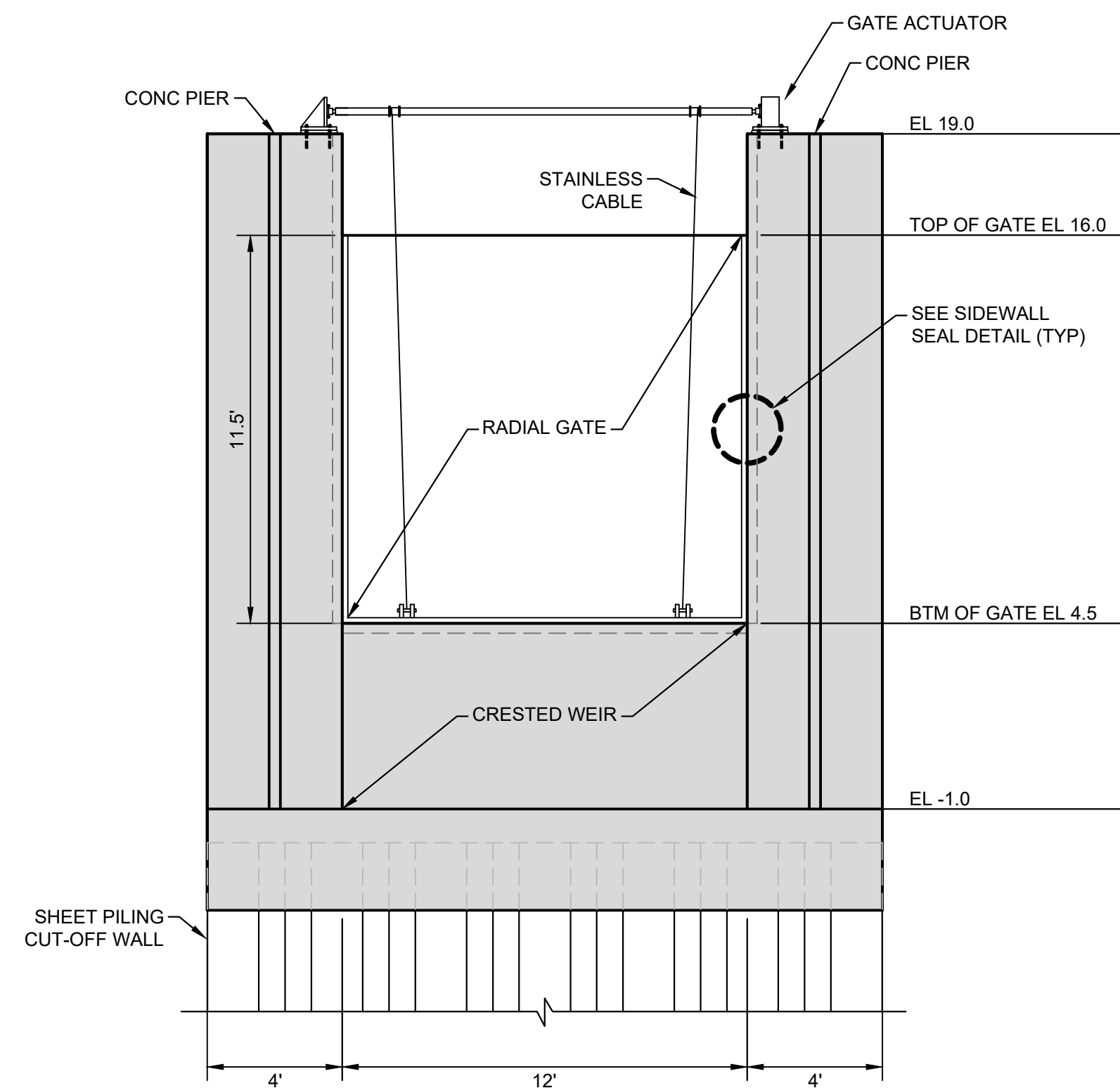
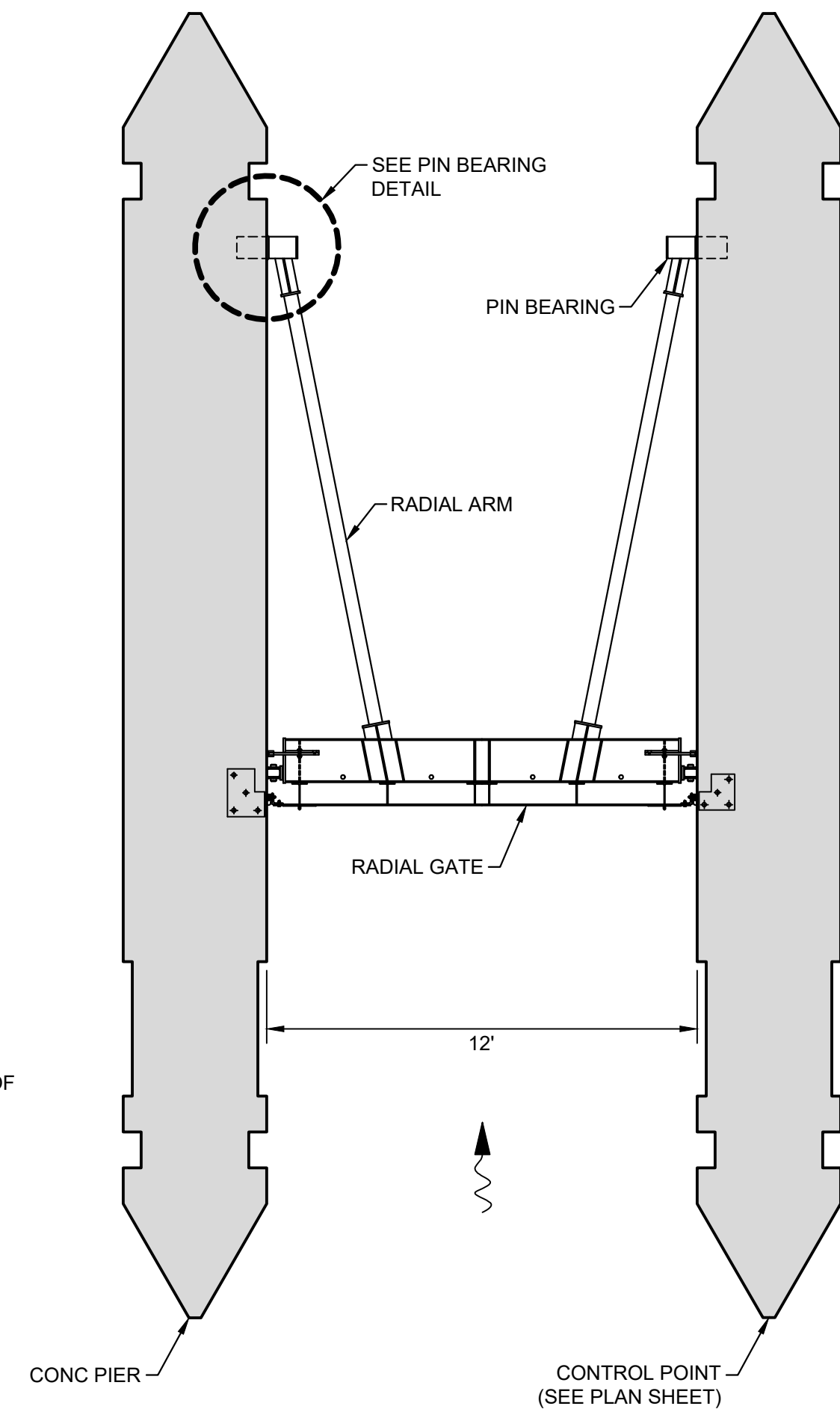


SECTION VIEW
LOOKING NORTH

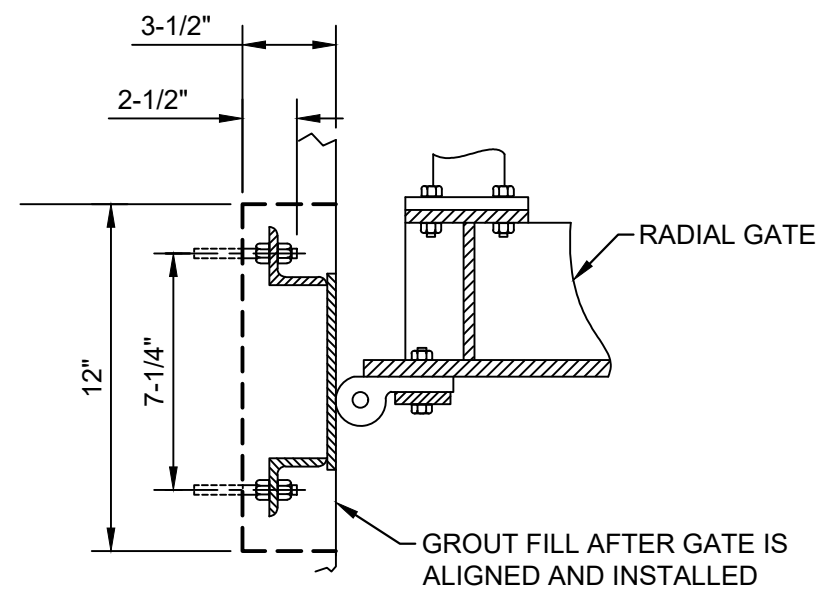


FRONT VIEW
LOOKING EAST
(GATE 2)

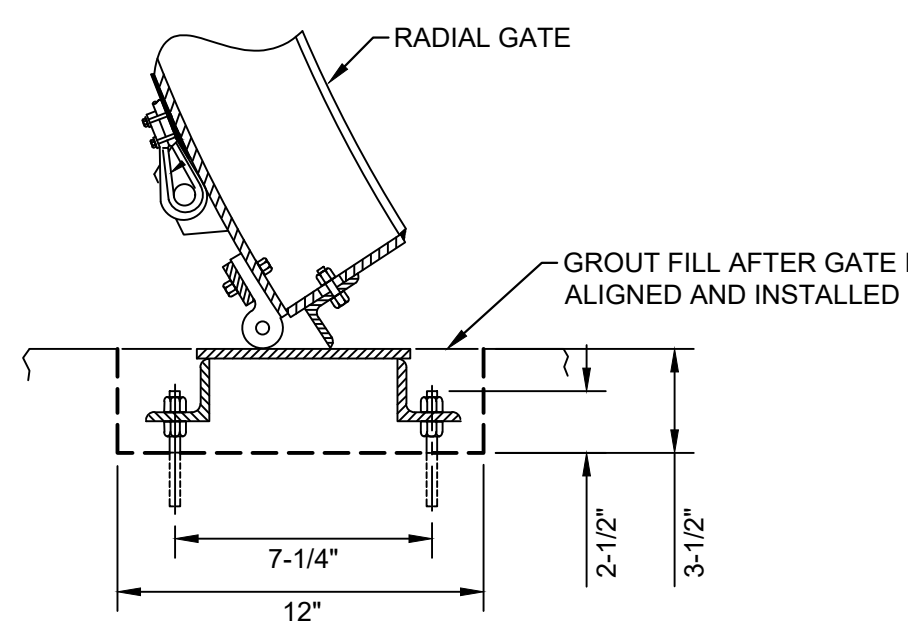


PLAN VIEW

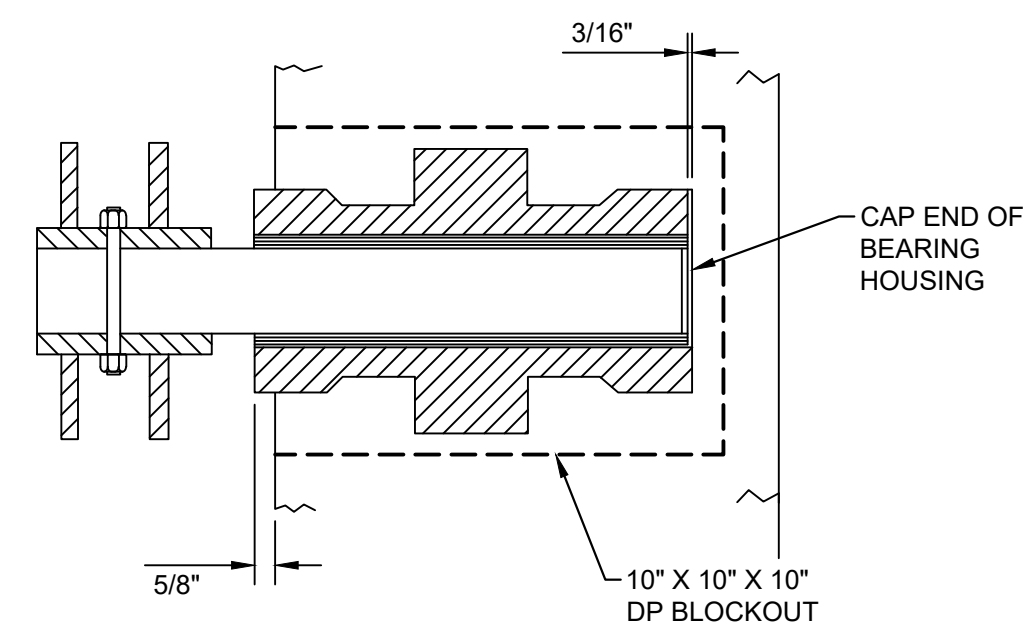
- NOTES:
1. ALL SHOWN DIMENSIONS AND LOCATIONS OF BLOCK OUTS ARE APPROXIMATE. CONTRACTOR SHALL CONFIRM BLOCK OUT DIMENSIONS WITH GATE MANUFACTURER AND PROVIDE SHOP DRAWINGS.
 2. ALL GATE MOUNTING HARDWARE, SEALS, SEAL FACES, CABLES, AND CABLE DRUM PIN SHALL BE PROVIDED BY THE GATE MANUFACTURER.
 3. GATES AND ALL GATE HARDWARE SHALL BE 316 STAINLESS STEEL.
 4. GATE MANUFACTURER SHALL BE WATERMAN VALVE, LLC.
 5. GATE ACTUATOR HP/SPEED SHALL BE COORDINATED AND CONFIRMED BY GATE MANUFACTURER.
 6. GATE OPENING SPEED SHALL BE 6-INCHES PER MINUTE.
 7. ALLOWABLE GATE LEAKAGE RATE EQUALS 0.1 GALLONS PER MINUTE PER LINEAR FOOT OF SEAL.
 8. ACTUATOR FOR GATES 1 AND 2 SHALL BE ON SOUTH SIDE OF GATE. ACTUATOR FOR GATE 3 SHALL BE ON NORTH SIDE OF GATE. GATE ACTUATORS SHALL BE EIM (ACTUATORS SHALL BE ONE (1) HORSEPOWER, 3 PHASE, 480V).



SIDEWALL SEAL DETAIL



BOTTOM SEAL DETAIL



PIN BEARING DETAIL

1 RADIAL GATE DETAILS
C5-8 NTS

NOTE:
ALL ELEVATIONS SHOWN ARE BASED ON NGVD29

PLOT DATE: Mar 09, 2020 - 2:37pm IMAGES:
BAR IS EQUAL TO ONE INCH ON ORIGINAL DRAWING
ADJUST ALL SCALED DIMENSIONS ACCORDINGLY

DETAILS

| | | | | | | | | | | | |
|--|------|----------|----------|----------------|------|---|--|---------------------|---|--|--|
| CADD FILE: F:\wdd\wddcs9d\Cad\dwg\CS09CS01_C5-1.dwg | | 3/9/2020 | DMG | ADDENDUM NO. 1 | SEAL | FLORIDA E.B. NO. 48 | MOCK • ROOS CONSULTING ENGINEERS | FLORIDA L.B. NO. 48 | FIELD: WGI DRAWN: DMG DESIGN: PVK APPR: GGG SCALE: AS SHOWN | CONTROL STRUCTURE NO. 9 REPLACEMENT LAKE WORTH DRAINAGE DISTRICT PALM BEACH COUNTY, FLORIDA | DATE: JANUARY 2020 P.A. NO. B7002.00 DWG. NO. 45-43-19-22 SHEET: C5-8 |
| NO. | DATE | BY | REVISION | | DATE | 5720 Corporate Way, West Palm Beach, Florida 33407 (561) 683-3113, www.MockRoos.com | | | | | |