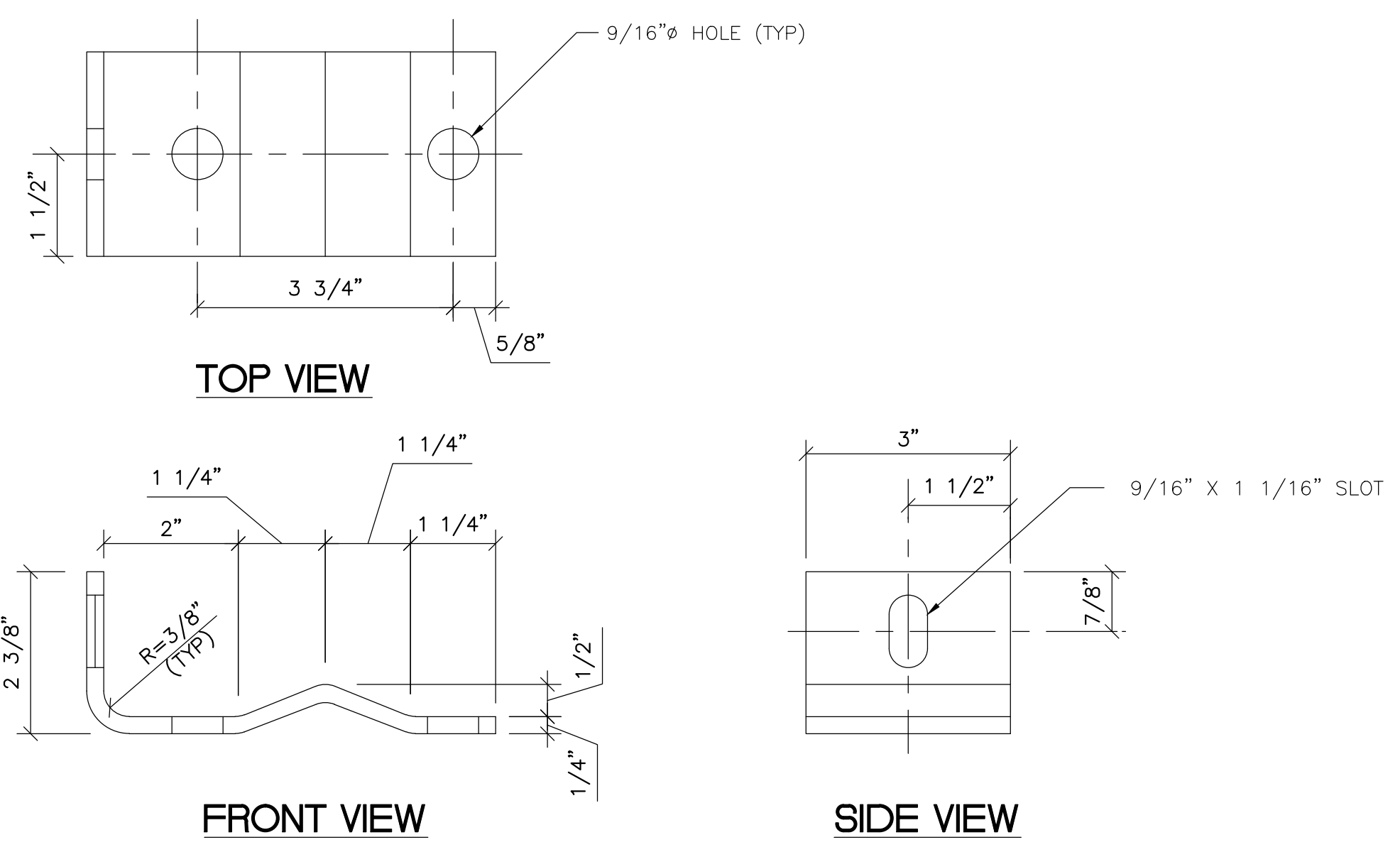
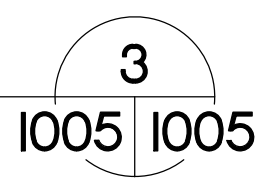


ANTENNA ADJUSTMENT ASSEMBLY
NOT TO SCALE



MOUNTING CLAMP DETAIL (4 REQUIRED)
NOT TO SCALE



GENERAL NOTES:

1. MOUNTING CLAMPS AND ANTENNA BRACKET-FRAME AND CHANNELS SHALL BE HOT DIP GALVANIZED WITH NO SHARP EDGES.
2. SEE DESIGN DETAIL ON DRAWING I004 FOR YAGI ANTENNA INCLUDING WEATHER HEAD DETAILS.

Always call 811 two full business days before you dig to have underground utilities located and marked.

Sunshine811.com

NOTE: THE ELEVATIONS SHOWN HEREON ARE BASED ON THE NORTH AMERICAN VERTICAL DATUM OF 1988 (NAVD88). NAVD88 = NATIONAL GEODETIC VERTICAL DATUM (NGVD29) - 1.37' AT THIS LOCATION

THE CONSULTANT, CONTRACTOR OR OTHER PARTIES ASSOCIATED WITH THIS PROJECT SHALL COMPLY WITH FLORIDA STATUTES CHAPTER 119. THESE PLANS ARE THE PROPERTY OF THE DISTRICT AND MUST BE SECURED AND MAINTAINED IN A CONFIDENTIAL MANNER. REVIEW BY ANY UNAUTHORIZED INDIVIDUAL OR OUTSIDE/THIRD PARTY NOT PERFORMING WORK NECESSARY FOR THIS PROJECT IS PROHIBITED.

ENGINEER: V. SCHROER	DATE: 09/04/2015	SCALE: AS SHOWN	REF #
DRAWN: R. BRUNER	DATE: 2/2/17	DATE: 2/26/16	DATE: 2/26/16
CHECKED: K. SPARROW	DATE: 2/2/17	DATE: 2/26/16	DATE: 2/26/16
REVISION DESCRIPTION	1	REVISED PER ADDENDUM 2	CORRECTED FINAL/RTA

SOUTH FLORIDA WATER MANAGEMENT DISTRICT
OPERATIONS, ENGINEERING & CONSTRUCTION
ENGINEERING & CONSTRUCTION BUREAU
PHONE: 561-686-8800
3301 GUN CLUB ROAD
WEST PALM BEACH, FLORIDA 33406

BURNS & MCDONNELL
KANSAS CITY, MISSOURI
FLORIDA ENGINEERING
CERTIFICATE EB000253

ENGINEER OF RECORD: VALERIE J. SCHROER
FL P.E. LICENSE NO: 55218

**LAKE HICOCHEE
SHALLOW STORAGE AND
HYDROLOGIC ENHANCEMENT PROJECT
INSTRUMENTATION DETAILS - ANTENNA POLE**

PROJECT ID NO. 100771
DRAWING NUMBER 1005
SHEET 120 OF 129