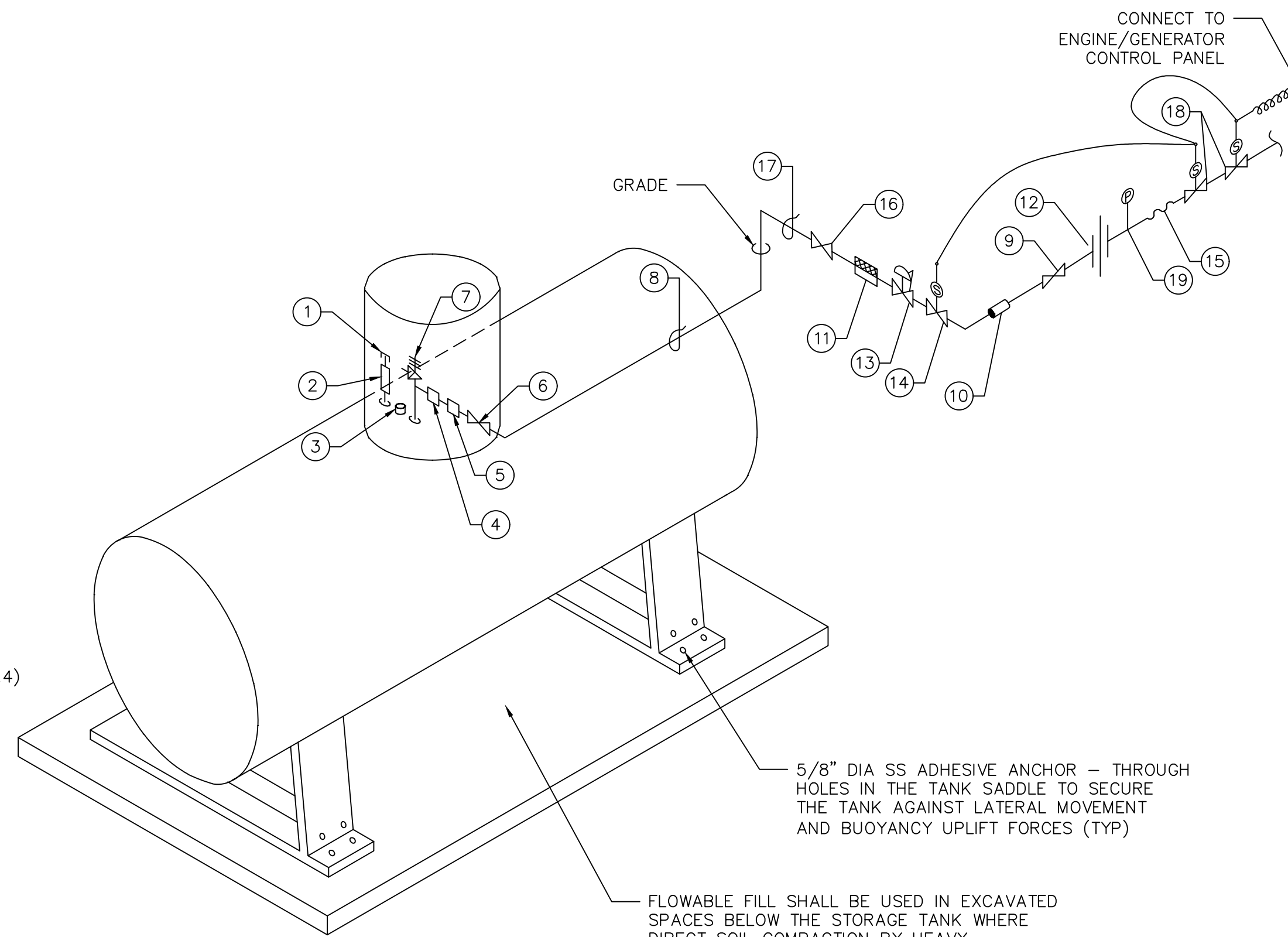


SECTION H
LP TANK BASE SLAB
NOT TO SCALE
MO01/M008

NOTE: ANODE WIRES NOT SHOWN FOR CLARITY.

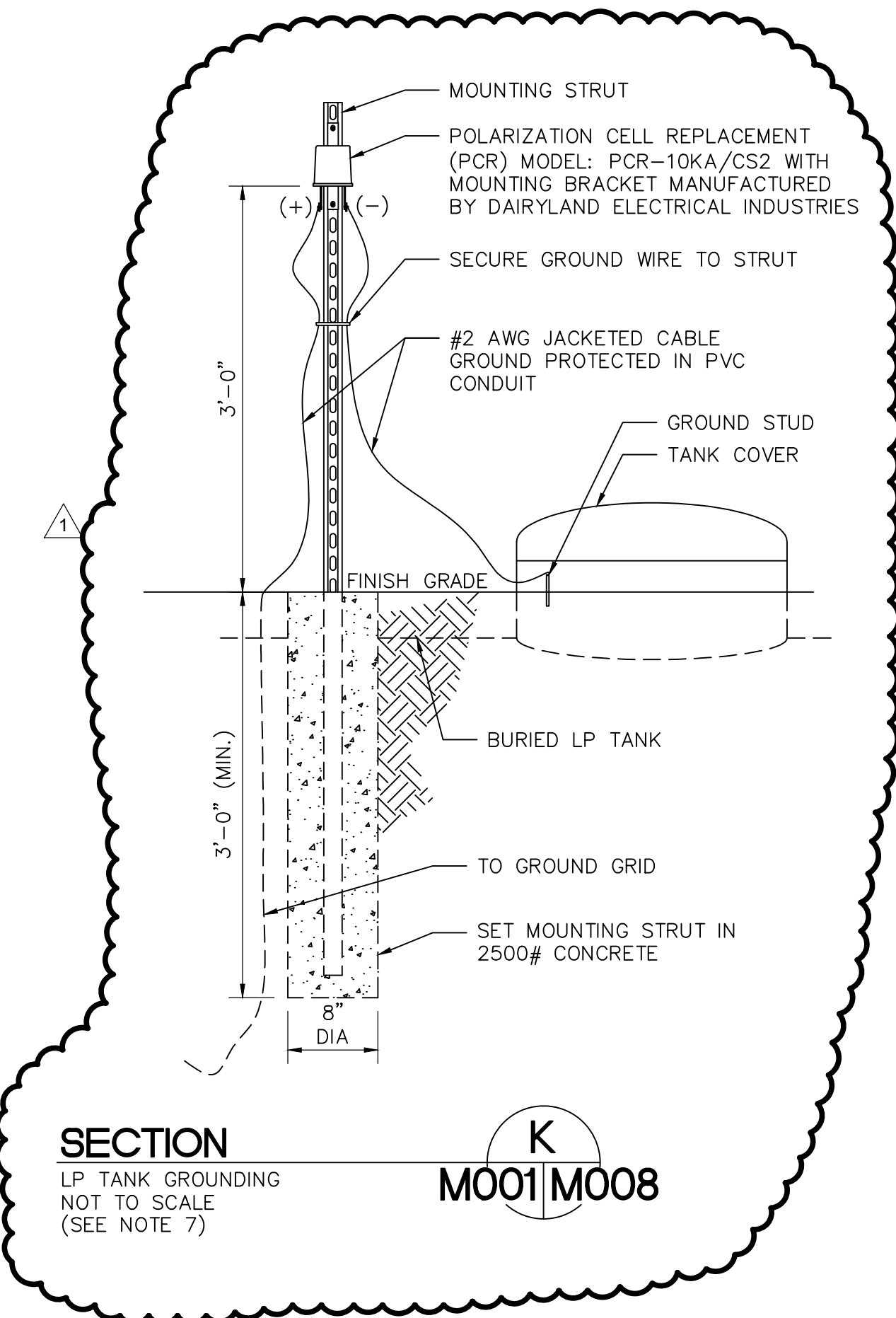


LP GAS TANK SCHEMATIC
NOT TO SCALE

KEY NOTES:

MARK	DESCRIPTION	REMARKS
1	FILL CONNECTION (*)	
2	DOUBLE BACKFLOW CHECK FILTER VALVE (*)	
3	FLOAT GAUGE (*)	
4	EXCESS FLOW VALVE (*)	
5	PRIMARY FUEL PRESSURE REGULATOR (*)	SET AT 10 PSIG, SECTION 13200
6	MANUAL SHUTOFF VALVE (*)	SECTION 13200
7	RELIEF VALVE (*)	
8	3/4" GAS LINE (UNDERGROUND)	MINIMUM 18" BELOW GRADE, SECTION 13200
9	MANUAL SHUTOFF VALVE	SECTION 13200
10	PIPE PENETRATION SEAL	THROUGH GENERATOR BUILDING WALL
11	DRY GAS FUEL FILTER	
12	DIELECTRIC UNION	
13	SECONDARY FUEL PRESSURE REGULATOR	SET AT 6 OZ, SECTION 13200
14	AUTOMATIC SAFETY SHUTOFF VALVE	NEMA 4X, NORMALLY CLOSED
15	FLEX HOSE CONNECTION TO ENGINE	
16	EXTERIOR MANUAL LOCKABLE SHUTOFF VALVE	SECTION 13200
17	3/4" GAS LINE (ABOVE GROUND)	SECTION 13200
18	FACTORY MOUNTED AUTOMATIC SAFETY SHUTOFF VALVE	
19	PRESSURE GAUGE	

(*) KEY NOTES 1 THROUGH 7 ARE LOCATED UNDER THE TANK DOME.



SECTION K
LP TANK GROUNDING
NOT TO SCALE
(SEE NOTE 7)
MO01/M008

NOTES:

- DESIGN REQUIREMENTS:
 - NATIONAL FIRE PROTECTION ASSOCIATION STANDARD NO. 58 AND ALL OTHER APPLICABLE STATE AND FEDERAL STANDARDS.
 - ALL METAL PARTS (TANKS, PIPING AND OTHER FITTINGS) UNDERGROUND SHALL BE PROTECTED WITH CATHODIC PROTECTION TO MEET SPECIFICATION SECTION 16061. SEE DRAWING M001 FOR ANODES AND WIRE LAYOUT.
 - FUEL TANK CAPACITY: 1000 GAL.
- COMPONENTS:
 - TANK:
 - TANK SHALL BE STAMPED FOR 250 PSIG WORKING PRESSURE IN ACCORDANCE WITH ASME CODE FOR "PRESSURE VESSELS FOR PETROLEUM LIQUIDS AND GASES".
 - TANK SHALL HAVE CERTIFICATION OF TESTING FOR 1.5 TIMES WORKING PRESSURE AND SUITABLE FOR UNDERGROUND INSTALLATION.
 - TANK SHALL BE PROVIDED WITH WELDED STEEL SUPPORTS WITH PROVISIONS FOR BOLTING TO THE CONCRETE FOUNDATION.
 - CONCRETE FOR THE SLAB SHALL MEET SPECIFICATION SECTION 03300.
 - TANK SHALL BE FACTORY COATED PER MANUFACTURER'S RECOMMENDATIONS. IF PRIMER IS USED, SHALL NOT CONTAIN LEAD PIGMENTS.
 - PIPE:
 - PIPING FOR LP FUEL LINES SHALL MEET SPECIFICATION SECTIONS 13200 AND 15010.
 - FITTINGS, VALVES AND APPURTENANCES:
 - FITTINGS, VALVES AND APPURTENANCES SHALL MEET SPECIFICATION SECTION 15010.
 - WARNING SIGNS:
 - WARNING SIGNS (2) 2'-0" X 1'-0" SHALL BE ERECTED IN THE AREA AROUND THE TANK.
 - WARNING SIGNS SHALL BE SHEET ALUMINUM, NOT LESS THAN 1.2 MM THICK (18 GAGE) WITH A BAKED ENAMEL COATING AND SHALL HAVE RED LETTERS ON A WHITE BACKGROUND.
 - THESE SIGNS SHALL BE ON METAL POSTS AND CLEARLY VISIBLE. SIGN TO READ, "DANGER NO SMOKING."
 - FASTENERS:
 - FASTENERS SHALL MEET SPECIFICATION SECTION 15010.

NOTES CONT.:

- INSTALLATION:
 - FURNISH ALL LABOR, MATERIALS AND EQUIPMENT NECESSARY TO MAKE A COMPLETE INSTALLATION AS INDICATED AND SPECIFIED AND AS REQUIRED BY LOCAL PRACTICE, CODES AND REGULATIONS.
 - PIPING:
 - PIPING INSTALLATION SHALL MEET SPECIFICATION SECTIONS 13200 AND 15010.
 - PROVIDE 14 GAUGE PAINTED STEEL, VENTED, PROTECTIVE COVER WITH OPEN BOTTOM ANCHORED TO THE BUILDING WALL. COVER SHALL HOUSE ANY EXPOSED OUTDOOR PIPING AND FITTINGS.
 - SECONDARY FUEL PRESSURE REGULATOR SHALL BE OUTSIDE. VENT PIPE FOR THE REGULATOR SHALL BE MINIMUM DISTANCE OF 5 FEET FROM ANY OPENING.
 - TANK ASSEMBLY SHALL BE BOLTED TO THE CONCRETE SLAB. STRAPPING TO THE CONCRETE IS NOT ACCEPTABLE.
 - CLEANING:
 - PIPING: CLEAN EXTERIOR SURFACES OF INSTALLED PIPING SYSTEMS OF SUPERFLUOUS MATERIALS AND PREPARE FOR APPLICATION OF SPECIFIED COATINGS (IF ANY).
 - BOLLARDS SHALL BE USED TO PREVENT VEHICULAR TRAFFIC OVER TANK AND TO PROTECT LP REGULATOR AND EXPOSED PIPING.
 - SEE CIVIL DRAWINGS C015 AND C044 FOR BOLLARD REQUIREMENTS.
 - LP TANK GROUND - BECAUSE OF THE CATHODIC PROTECTION ANODES INSTALLED ON THE LP TANK, GROUND THE TANK THROUGH AN ISOLATOR DEVICE. USE A PCR WITH MOUNTING BRACKET MANUFACTURED BY DAIRYLAND ELECTRICAL INDUSTRIES. INSTALL THE ISOLATOR ON STAINLESS STEEL MOUNTING STRUT, UNISTRUT TYPE P1000 OR DISTRICT APPROVED EQUAL, SET IN CONCRETE AS SHOWN. USE STAINLESS STEEL MOUNTING HARDWARE. INSTALL A #2 AWG BARE TIN-COATED, ANNEALED COPPER WIRE FROM THE GROUND GRID TO THE POSITIVE TERMINAL OF THE ISOLATOR. INSTALL A #2 AWG BARE TIN-COATED, ANNEALED COPPER WIRE FROM THE NEGATIVE TERMINAL OF THE ISOLATOR AND ROUTE TO THE GROUND WIRE STUD UNDER THE LP TANK COVER ASSEMBLY. KEEP WIRE LENGTHS AS SHORT AS POSSIBLE. TERMINATE THE GROUND WIRE AT THE ISOLATOR AND AT THE LP TANK WITH SINGLE-HOLE COPPER COMPRESSION TERMINALS AND STAINLESS STEEL MOUNTING HARDWARE. USE PVC CONDUIT TO PROTECT ALL ABOVE GROUND SECTIONS OF GROUND WIRE. DO NOT USE AN EXOTHERMIC WELD CONNECTION TO ATTACH THE GROUND WIRE TO THE LP TANK OR TO THE ISOLATOR DEVICE. ATTACH PHENOLIC PLASTIC NAMETAG "GROUND COUPLER/ISOLATOR" TO PCR DEVICE.

**BURNS
MCDONNELL**

KANSAS CITY, MISSOURI
FLORIDA ENGINEERING
CERTIFICATE EBO00253

ENGINEER OF RECORD: ANDREW FABIN
FL P.E. LICENSE NO.: 63315

Always call 811 two full business days before you dig to have underground utilities located and marked.



NOTE: THE ELEVATIONS SHOWN HEREON ARE BASED ON THE NORTH AMERICAN VERTICAL DATUM OF 1988 (NAVD88). NAVD88 = NATIONAL GEODETIC VERTICAL DATUM (NGVD29) - 1.37' AT THIS LOCATION. NOTE: ANODE WIRES NOT SHOWN FOR CLARITY.

THE CONSULTANT, CONTRACTOR OR OTHER PARTIES ASSOCIATED WITH THIS PROJECT SHALL COMPLY WITH FLORIDA STATUTES CHAPTER 119. THESE PLANS ARE THE PROPERTY OF THE DISTRICT AND MUST BE SECURED AND MAINTAINED IN A CONFIDENTIAL MANNER. REVIEW BY ANY UNAUTHORIZED INDIVIDUAL OR OUTSIDE/THIRD PARTY NOT PERFORMING WORK NECESSARY FOR THIS PROJECT IS PROHIBITED.

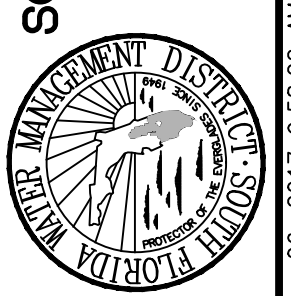
CORRECTED FINAL

LAKE HICPOCHEE
SHALLOW STORAGE AND
HYDROLOGIC ENHANCEMENT PROJECT
LP GAS SYSTEM DETAILS

PROJECT ID NO.
100771
DRAWING NUMBER
MO08
SHEET
94 OF 129

ENGINEER: P. GRAEVE
DRAWN: J. RICE
CHECKED: B. DICMEYER
DATE: 09/04/2015
SCALE: AS SHOWN

SOUTH FLORIDA WATER MANAGEMENT DISTRICT
OPERATIONS, ENGINEERING & CONSTRUCTION
ENGINEERING & CONSTRUCTION BUREAU
PHONE: 561-686-8800
3301 GUN CLUB ROAD
WEST PALM BEACH, FLORIDA 33406



Z:\Clients\WTR\SFWMD\81838_FinalDesign\Design\Cadd\WtrGas\Files\MO08_LP_GAS_SYSTEM_DETAILS.dwg - Monday, February 06, 2017 9:58:22 AM