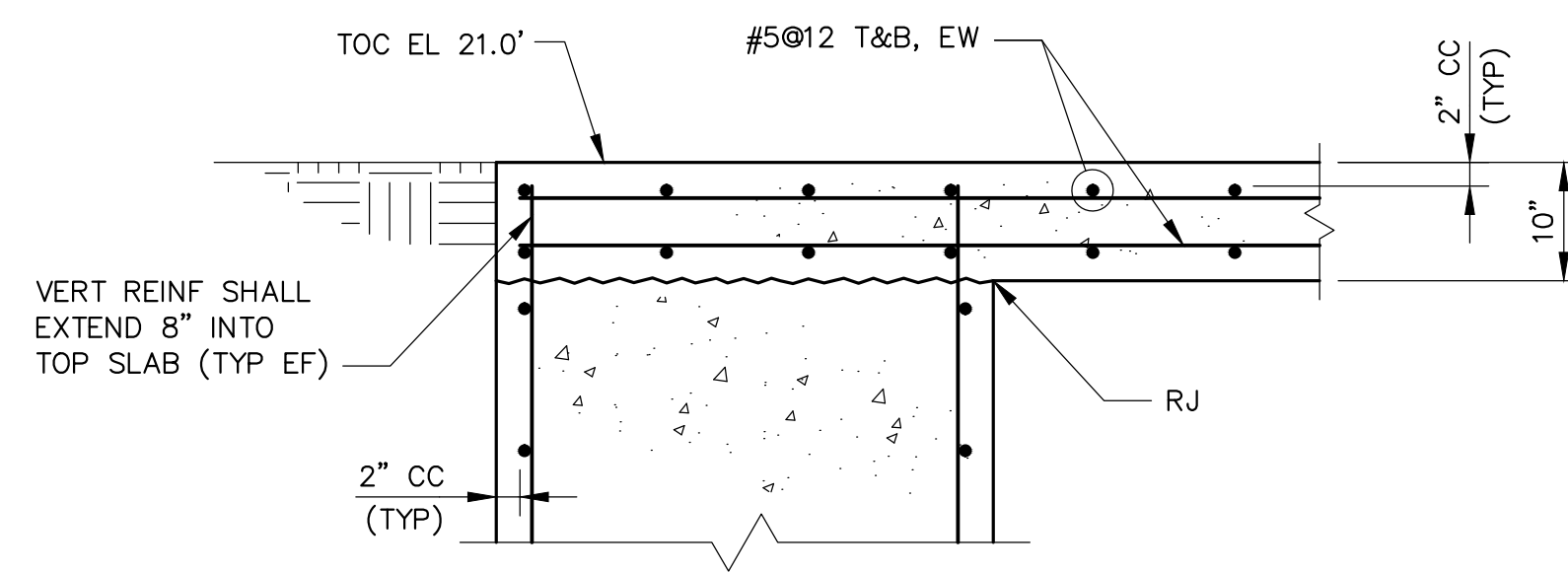
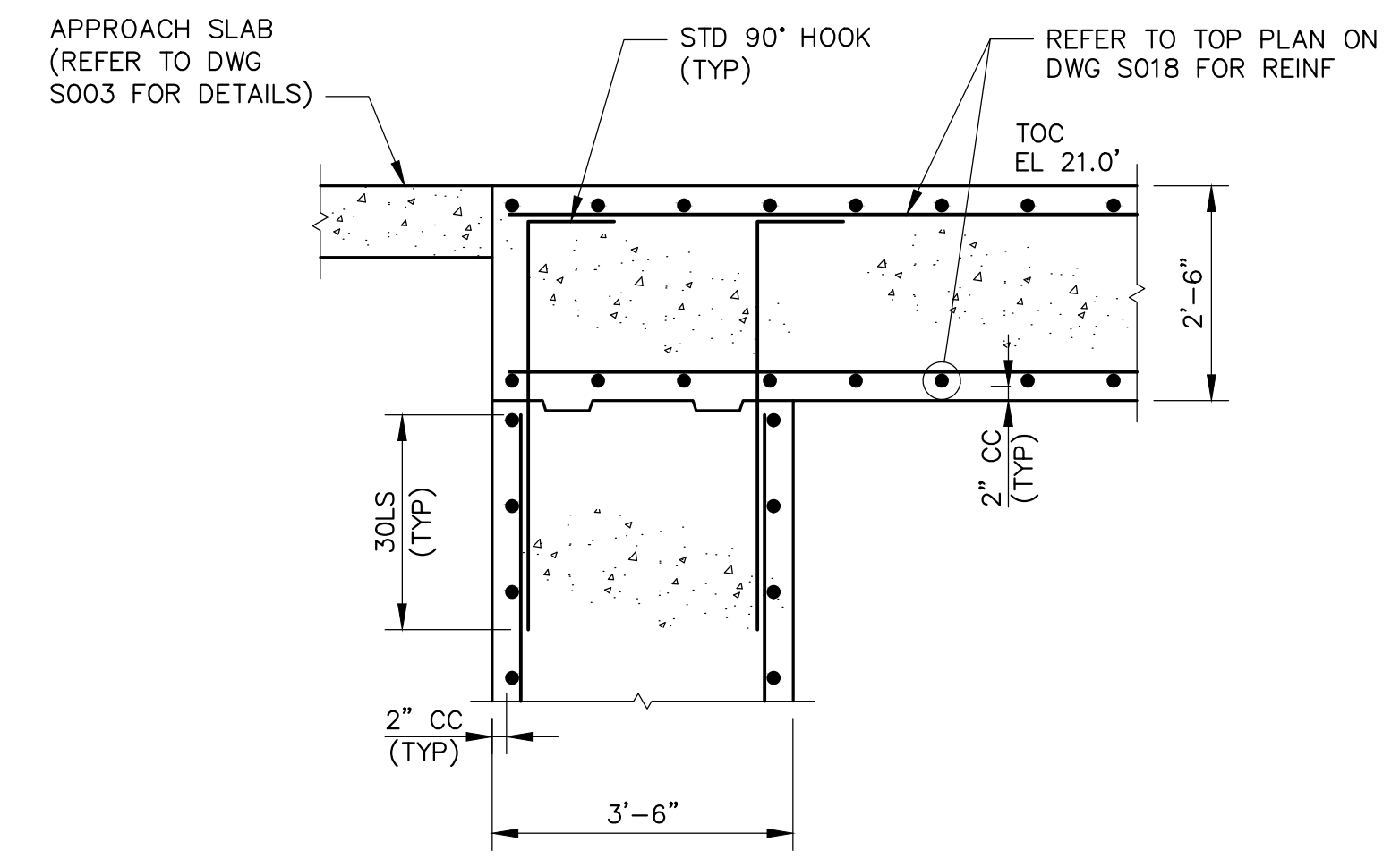


NOTE:
FDOT 852 RAIL USED ONLY ON WING WALLS AND WALKWAYS THAT ARE ACCESSIBLE TO THE PUBLIC.

SECTION **AG**
SCALE: 3/4" = 1'-0" **S018 S021**

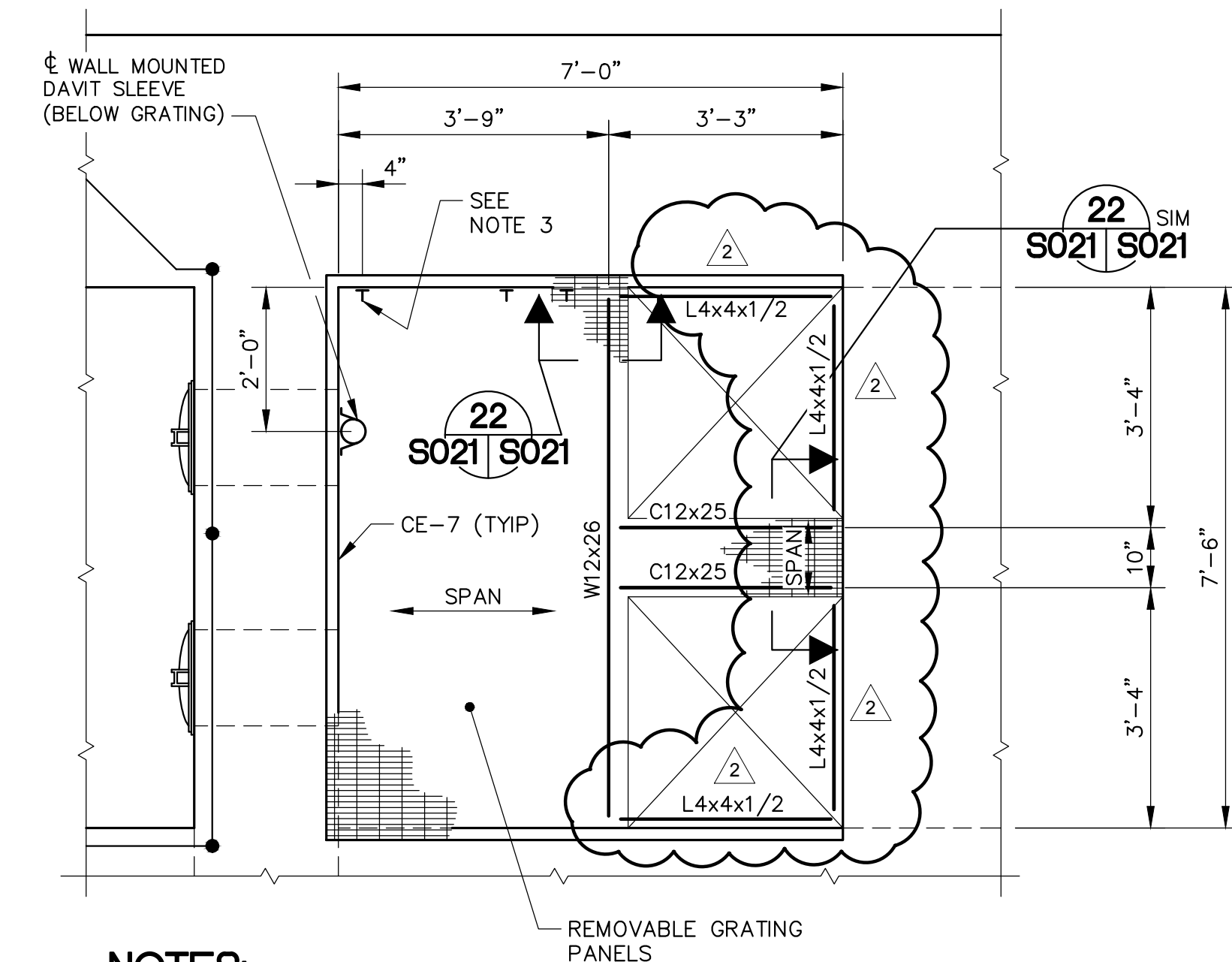


SECTION **AH**
SCALE: 3/4" = 1'-0" **S018 S021**



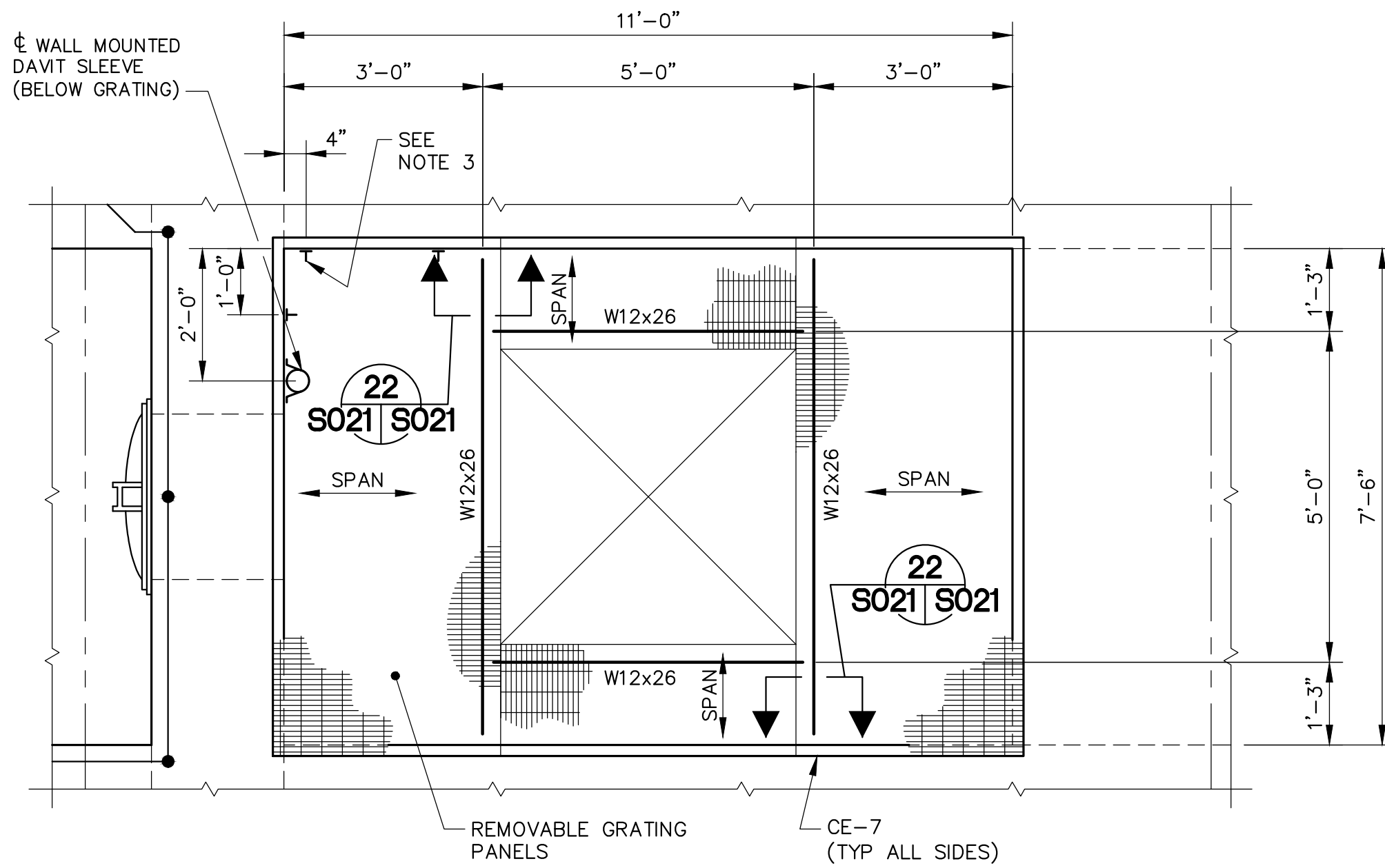
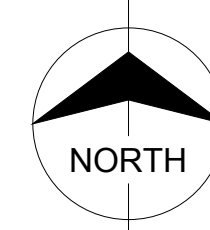
NOTE:
VERTICAL WALL STEEL SHALL EXTEND TO TOP STEEL.

SECTION **AJ**
SCALE: 1/2" = 1'-0" **S018 S021**



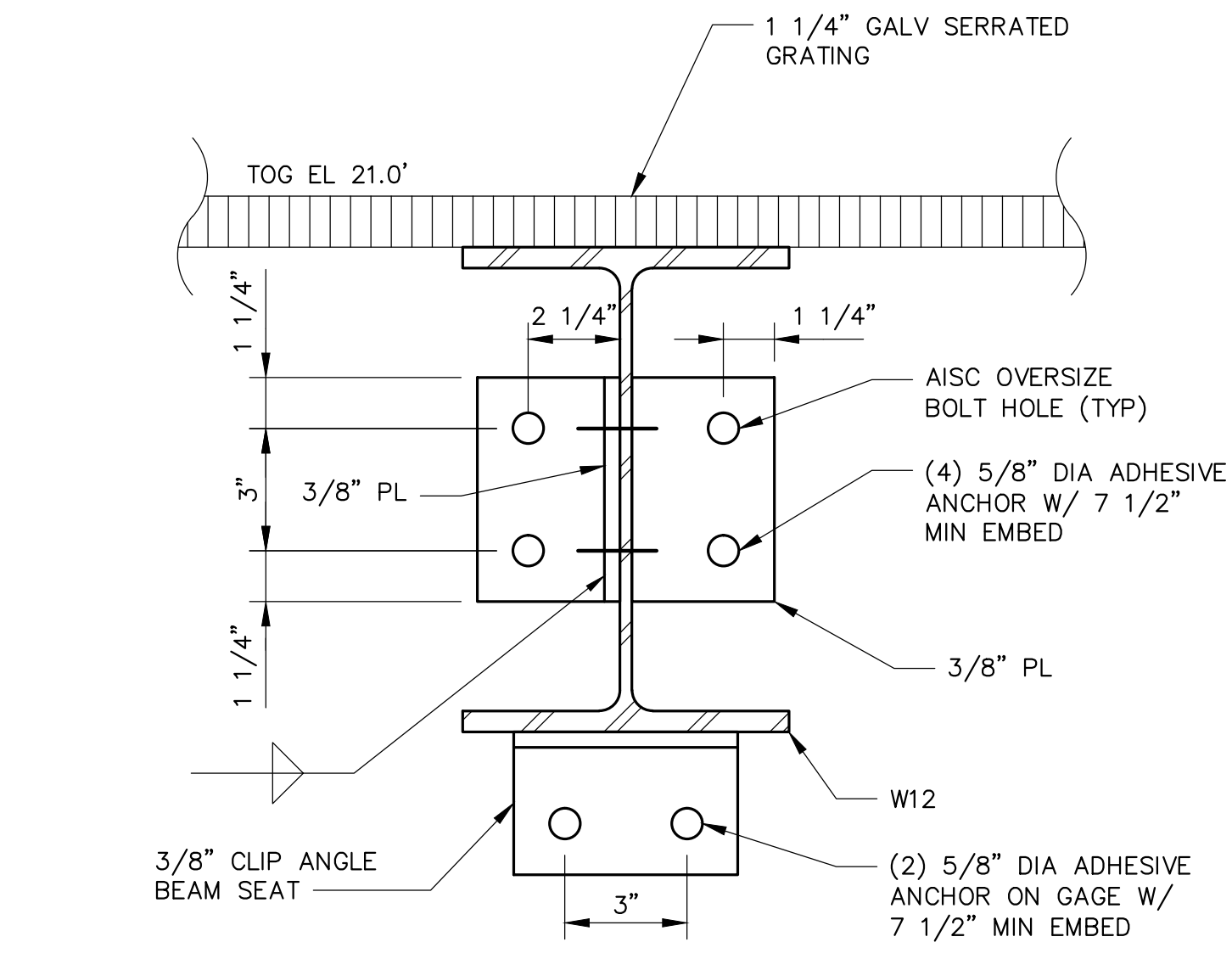
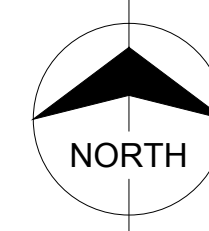
NOTES:
1. CANOPY STEEL NOT SHOWN FOR CLARITY.
2. REFER TO STANDARD BEAM CONNECTIONS ON DRAWING S005 FOR CONNECTION DETAILS.
3. PERMANENT WALL MOUNTED D-RING ANCHORS BELOW GRATING. REFER TO DETAIL ON DRAWING S014.
4. DIMENSIONS FOR PUMP OPENING MAY VARY BASED UPON PUMP DIMENSIONS. REQUIRED DIMENSIONS SHALL BE VERIFIED BY THE CONTRACTOR AND APPROVED BY THE ENGINEER PRIOR TO FABRICATION.
5. ANGLE SHALL BE ANCHORED TO CONCRETE 4\"/>

DETAIL (3 THUS) **18**
SCALE: 1/2" = 1'-0" **S018 S021**



NOTES:
1. CANOPY STEEL NOT SHOWN FOR CLARITY.
2. REFER TO STANDARD BEAM CONNECTIONS ON DRAWING S005 FOR CONNECTION DETAILS.
3. PERMANENT WALL MOUNTED D-RING ANCHORS BELOW GRATING. REFER TO DETAIL ON DRAWING S014.
4. DIMENSIONS FOR PUMP OPENING MAY VARY BASED UPON PUMP DIMENSIONS. REQUIRED DIMENSIONS SHALL BE VERIFIED BY THE CONTRACTOR AND APPROVED BY THE ENGINEER PRIOR TO FABRICATION.

DETAIL (3 THUS) **19**
SCALE: 1/2" = 1'-0" **S018 S021**



NOTE:
DIMENSIONS FOR PUMP OPENING MAY VARY BASED UPON PUMP DIMENSIONS. REQUIRED DIMENSIONS SHALL BE VERIFIED BY THE CONTRACTOR AND APPROVED BY THE ENGINEER PRIOR TO FABRICATION.

DETAIL (14 THUS, 2 SIM) **22**
NOT TO SCALE **S021 S021**

ENGINEER: K. FARMER	02/06/17	KRF	2	ADDED ANGLES AND NOTE 5 TO DETAIL 18
DRAWN: L. PIRILE	02/02/17	KRF	1	ADDED NOTE TO DETAILS 18 & 19 PER ADDENDUM 1
CHECKED: A. HOLMES	02/06/16	KRF		CORRECTED FINAL / RTA
DATE: 09/04/2015				
SCALE: AS SHOWN				
				REVISION DESCRIPTION
				REF#

SOUTH FLORIDA WATER MANAGEMENT DISTRICT
OPERATIONS, ENGINEERING & CONSTRUCTION
ENGINEERING & CONSTRUCTION BUREAU
PHONE: 561-686-8800
3301 GUN CLUB ROAD
WEST PALM BEACH, FLORIDA 33406

LAKE HICOCHEE SHALLOW STORAGE AND HYDROLOGIC ENHANCEMENT PROJECT
PS G-725 SECTIONS AND DETAILS - SHEET 1

BURNS & McDONNELL
KANSAS CITY, MISSOURI
FLORIDA ENGINEERING
CERTIFICATE EB000253

ENGINEER OF RECORD:
KENNETH RAY FARMER
FL P.E. LICENSE NO: 74917

PROJECT ID NO. 100771
DRAWING NUMBER **S021**
SHEET **70** OF **129**

Always call 811 two full business days before you dig to have underground utilities located and marked.

Sunshine811.com

NOTE:
THE ELEVATIONS SHOWN HEREON ARE BASED ON THE NORTH AMERICAN VERTICAL DATUM OF 1988 (NAVD88). NAVD88 = NATIONAL GEODETIC VERTICAL DATUM (NGVD29) - 1.37' AT THIS LOCATION

THE CONSULTANT, CONTRACTOR OR OTHER PARTIES ASSOCIATED WITH THIS PROJECT SHALL COMPLY WITH FLORIDA STATUTES CHAPTER 119. THESE PLANS ARE THE PROPERTY OF THE DISTRICT AND MUST BE SECURED AND MAINTAINED IN A CONFIDENTIAL MANNER. REVIEW BY ANY UNAUTHORIZED INDIVIDUAL OR OUTSIDE/THIRD PARTY NOT PERFORMING WORK NECESSARY FOR THIS PROJECT IS PROHIBITED.